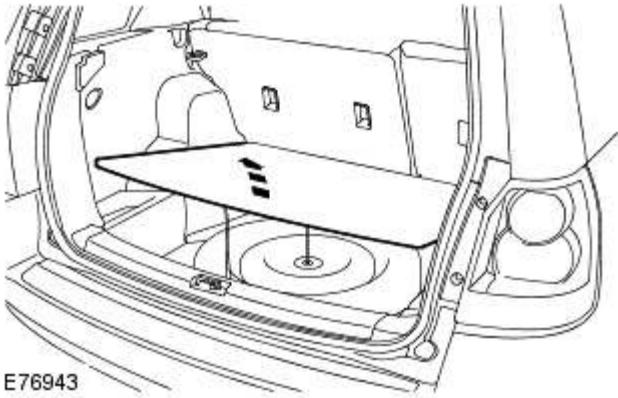


Interior Trim and Ornamentation - Rear Quarter Trim Panel

Removal and Installation

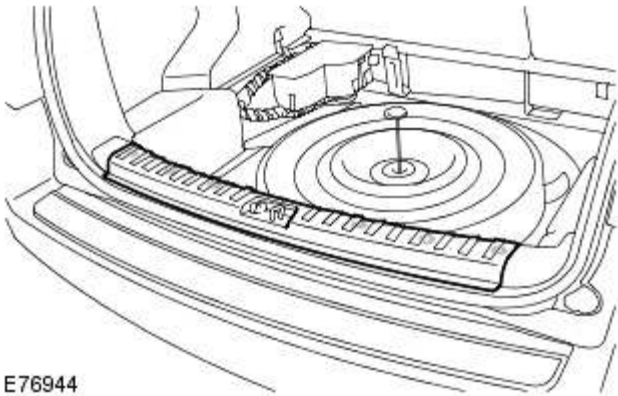
Removal

1.



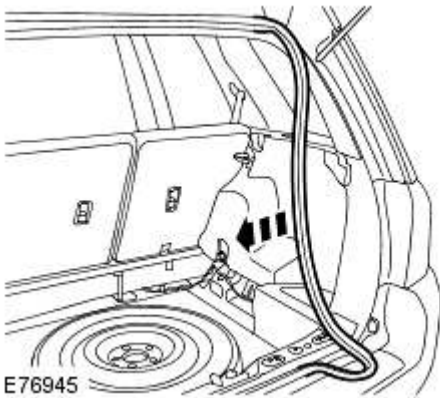
E76943

2. Remove the loadspace scuff plate.

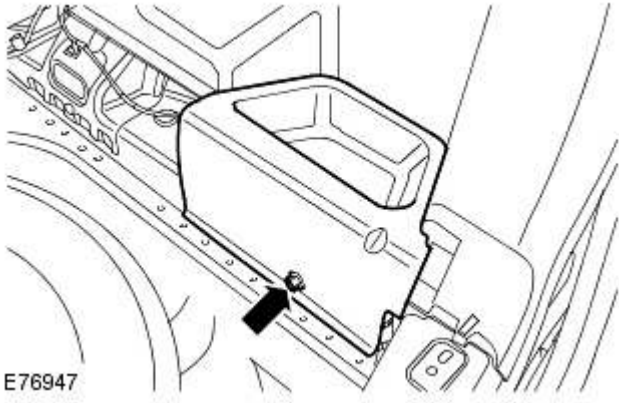


E76944

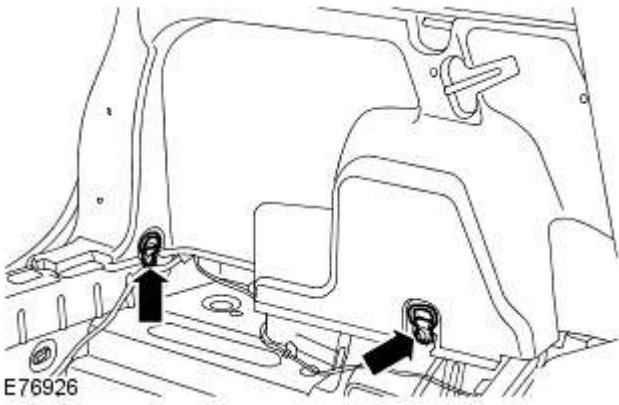
3. Release the liftgate seal.



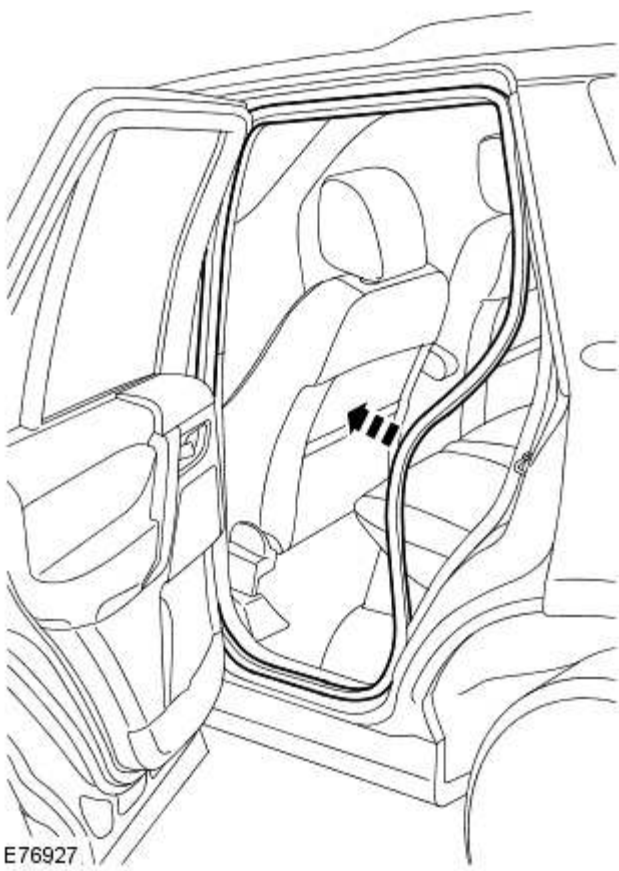
E76945



4.

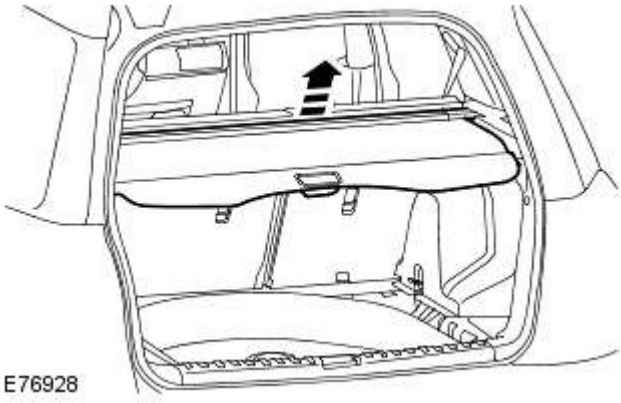


5.



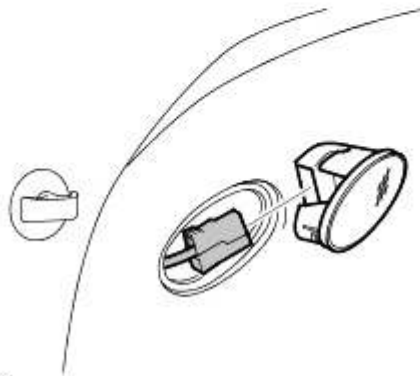
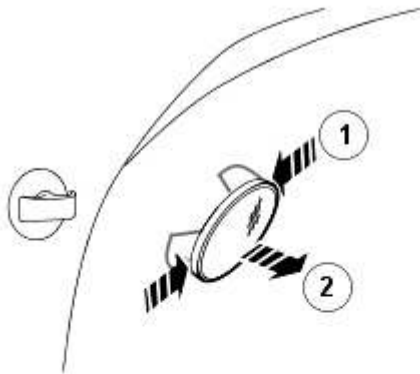
6. Release the rear door seal.

E76927



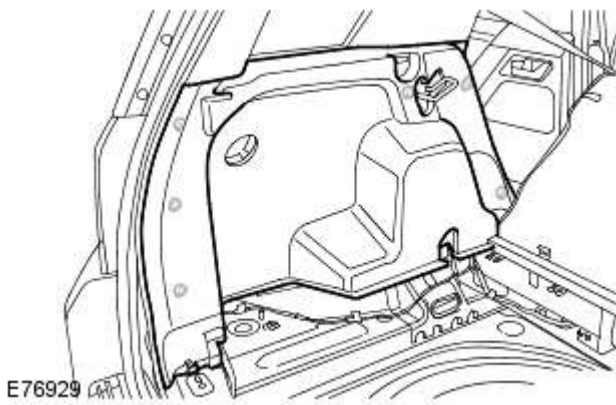
7.

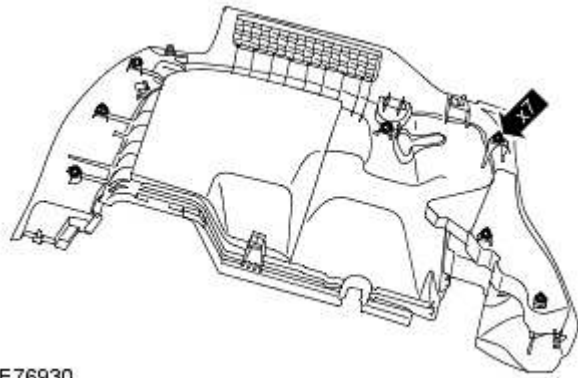
8. If installed, remove the loadspace lamp.



E 77806

9. Remove the rear quarter trim panel.

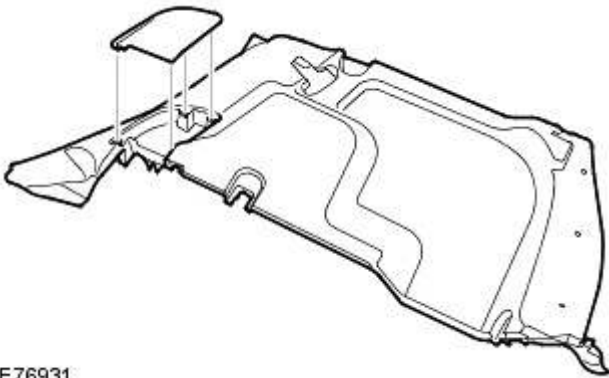




E76930

10. **10. NOTE:** Do not disassemble further if the component is removed for access only.

Remove the 7 clips.



E76931

11. Remove the access cover.

Installation

1. Install the access cover.
2. Install the clips.
3. Install the rear quarter trim panel.
4. Install the loadspace lamp.
5. Install the loadspace roller blind.
6. Secure the rear door seal.
7. Install the loadspace securing ring and tighten the Torx screw.
Torque: 25 Nm
8. Install the loadspace stowage tray.
9. Secure the liftgate seal.
10. Install the loadspace scuff plate.
11. Install the spare wheel cover.

Exterior Trim and Ornamentation -

Torque Specifications

Description	Nm	lb-ft
Rear outer quarter panel moulding fixings	4	3