

Rear Drive Axle/Differential - Active On-Demand Coupling Filling

General Procedures

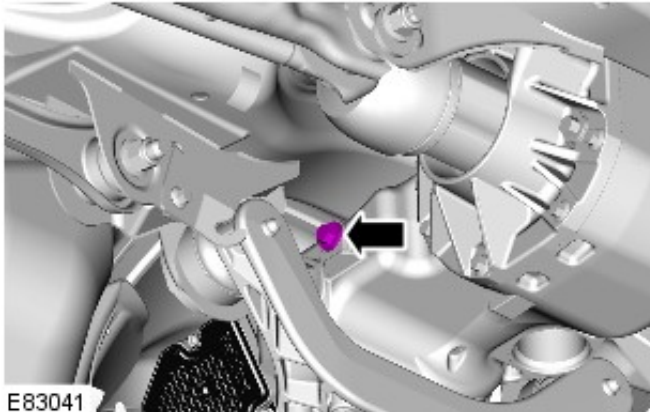


NOTE: If installing a new active on-demand coupling, fill with 650 ml of fluid. It is not possible to completely drain the active on-demand coupling fluid during service. The procedure below **MUST** be followed for both filling and topping up.

1. **CAUTION:** Make sure the vehicle is on a flat level surface.

Raise and support the vehicle.

2. No provision is made to fully drain the active on-demand coupling. During repair procedures, fluid will be lost. A container should be positioned to collect any spillage.



3. **CAUTION:** This is a filler plug only and must not be used as a fluid level indicator.

Make sure the vehicle is level. Remove the filler plug and discard the sealing washer.

4. Fill the active on-demand coupling, until a thin thread of fluid runs from the filler hole.

Refer to: [Specifications](#) (205-02 Rear Drive Axle/Differential, Specifications).

5. Install the active on-demand fluid filler plug.
6. Turn the ignition on for 5 minutes.
7. Turn the ignition off and remove the remote handset.
8. Fill the active on-demand coupling, until a thin thread of fluid runs from the filler hole.

9. **CAUTION:** This is a filler plug only and must not be used as a fluid level indicator.

Using a syringe, remove exactly 70 ml of fluid.

10. **CAUTION:** Replace the washer.

Install and tighten the filler plug.

Torque: 35 Nm