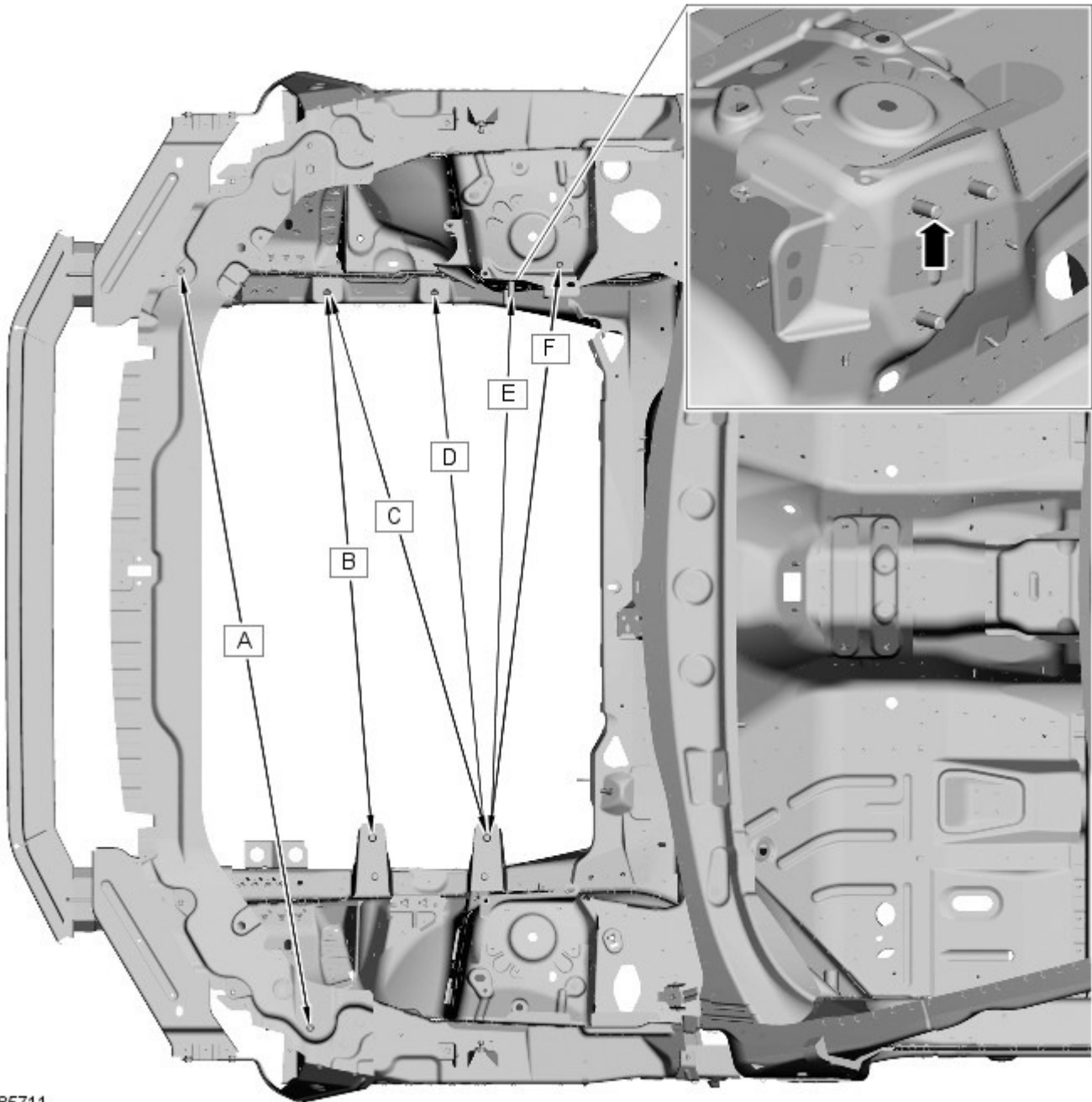


Body Repairs - Vehicle Specific Information and Tolerance Checks - Body and Frame

Description and Operation

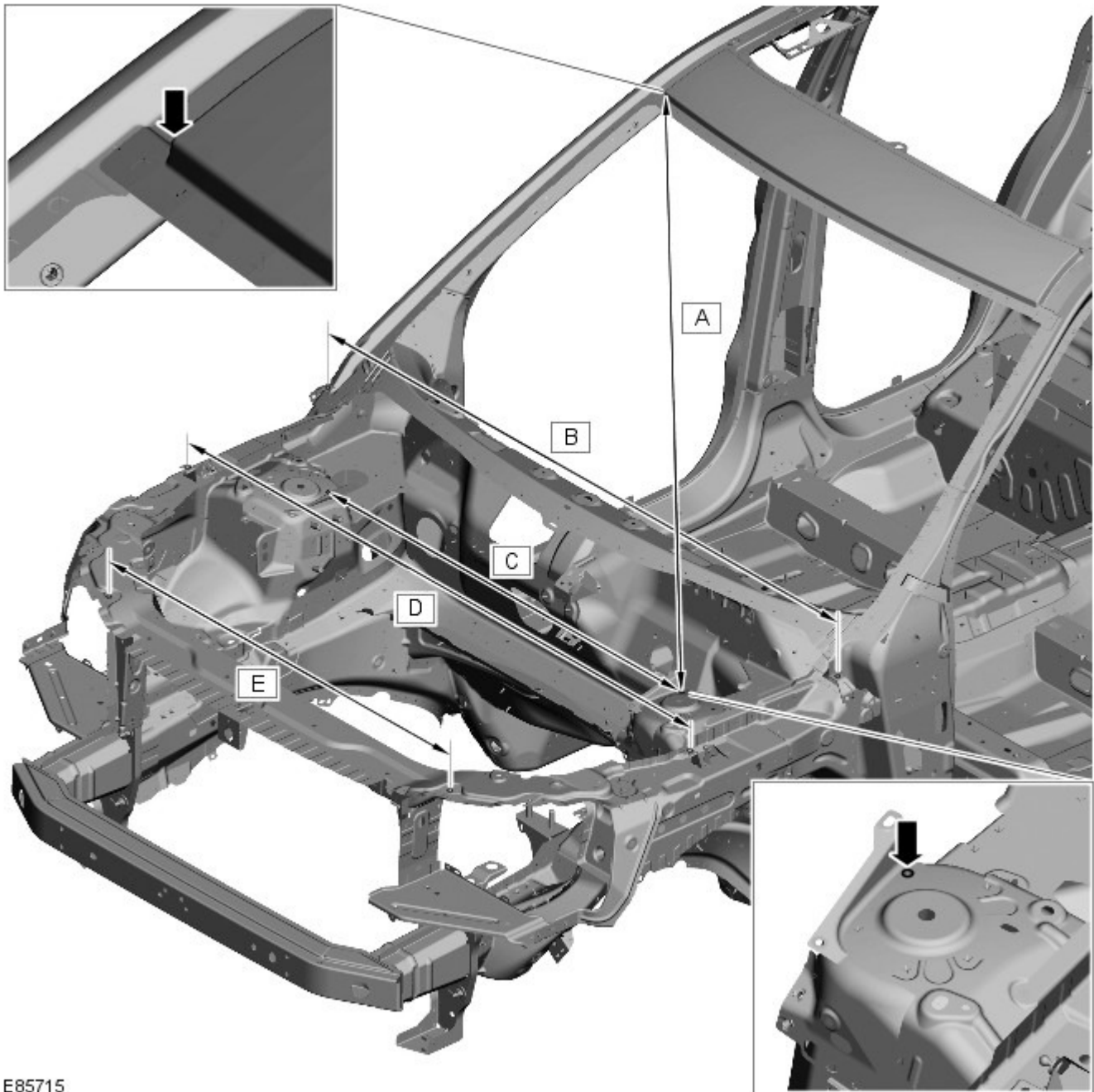
Front End Body Dimensions

- NOTE: All dimensions shown are in millimetres (mm).
- NOTE: Dimensions shown to holes, are always taken from/to the hole centre. They are also always to the body panel surface, not to the top of bolts or components.



E85711

Item	From	To	Dimension
A	Head lamp inboard fixing hole	Fender, forward fixing hole	1291.3
B	Transmission LH mounting, forward stud	Engine RH mounting forward fixing hole	922
C	Transmission LH mounting, rear stud	Engine RH mounting forward fixing hole	957.5
D	Transmission LH mounting, rear stud	Engine RH mounting middle fixing hole	922.3
E	Transmission LH mounting, rear stud	Engine RH mounting forward fixing top stud	924.8
F	Transmission LH mounting, rear stud	Damper mounting, rear hole	1025.4



E85715

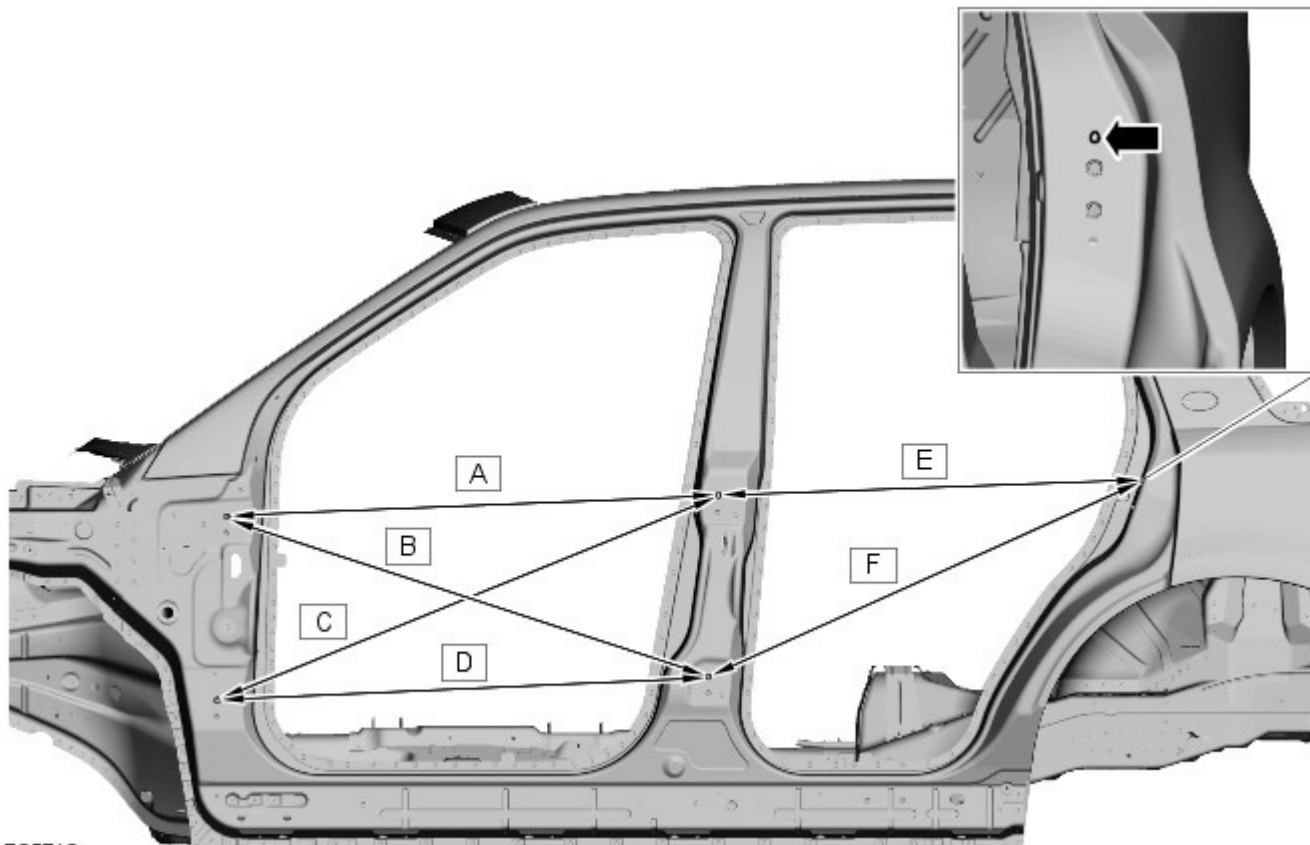
Item	From	To	Dimension
A	Damper mounting rear hole	Roof corner point	1597.25
B	RH Fender rear fixing hole	LH Fender rear fixing hole	1583.9
C	RH Damper mounting rear hole	LH Damper mounting rear hole	1136
D	RH Fender middle fixing hole	LH Fender middle fixing hole	1558.9
E	RH Headlamp top inboard fixing hole	LH Headlamp top inboard fixing hole	1061.5



E85718

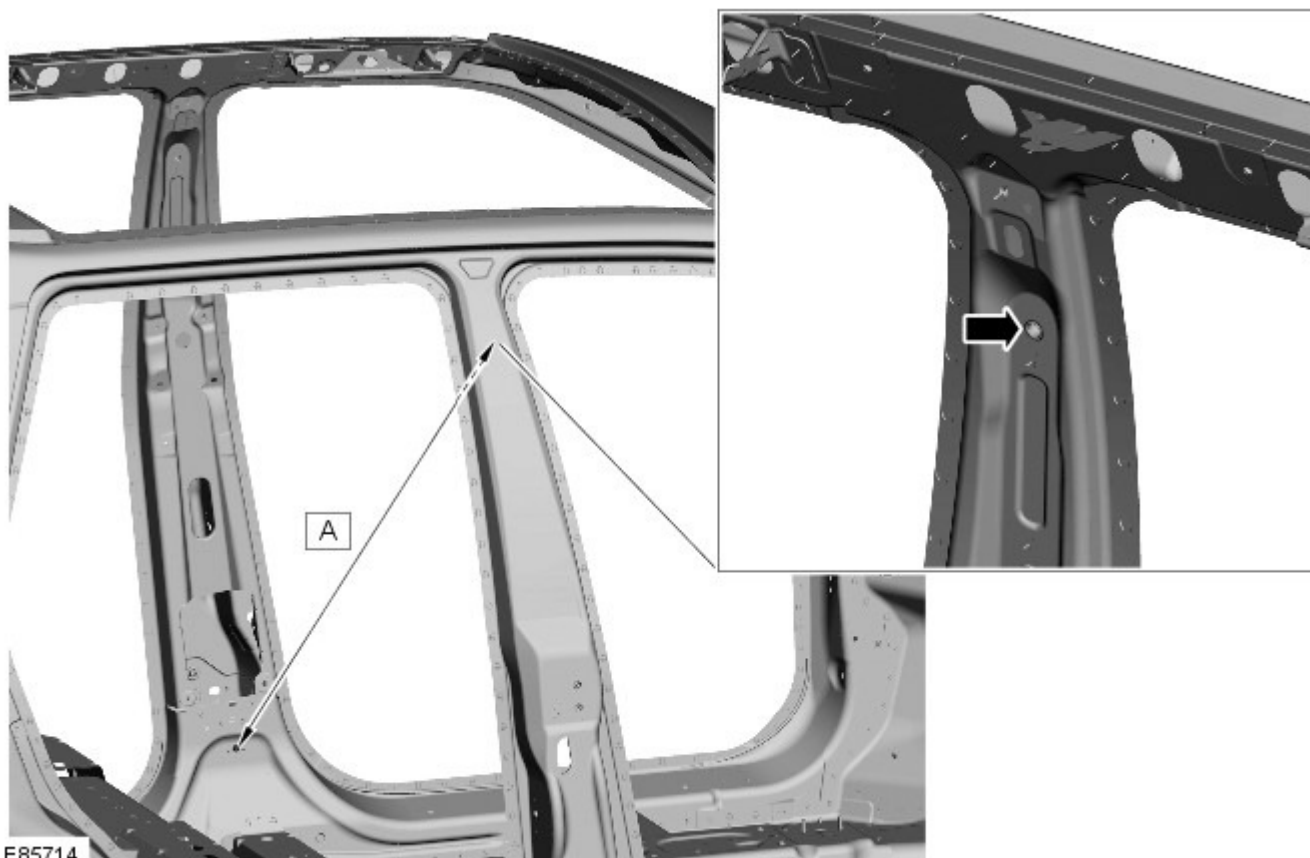
Item	From	To	Dimension
A	Bumper RH top inboard fixing hole	Bumper LH top inboard fixing hole	960
B	RH Valance extension panel tooling hole	LH Valance extension panel tooling hole	1533.7

Side Panel Dimensions



E85712

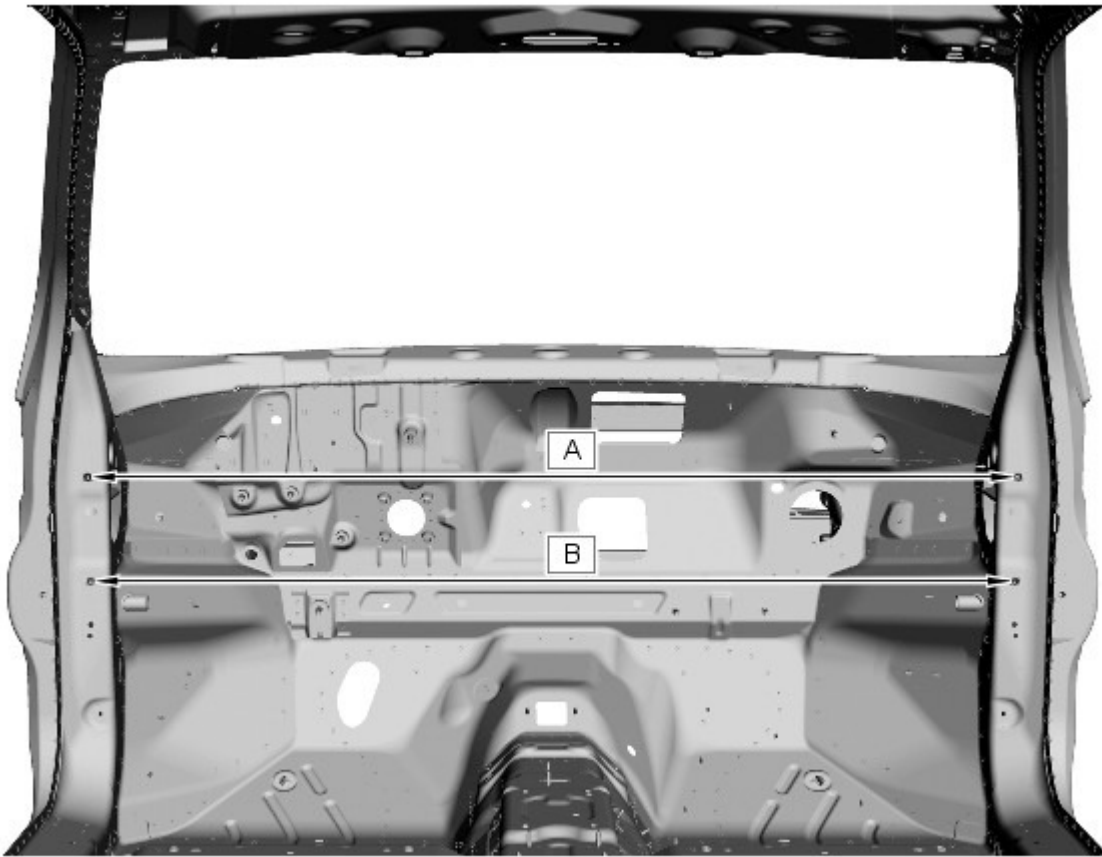
Item	From	To	Dimension
A	Front door top hinge fixing hole	Rear door top hinge fixing hole	1034.9
B	Front door top hinge fixing hole	Rear door bottom hinge, top fixing hole	1061.44
C	Front door bottom hinge, top fixing hole	Rear door top hinge fixing hole	1138.7
D	Front door bottom hinge, top fixing hole	Rear door bottom hinge, top fixing hole	1035.5
E	Rear door top hinge fixing hole	Rear door striker top fixing hole	1917.7
F	Rear door bottom hinge, top fixing hole	Rear door striker top fixing hole	983.8



E85714

Item	From	To	Dimension
------	------	----	-----------

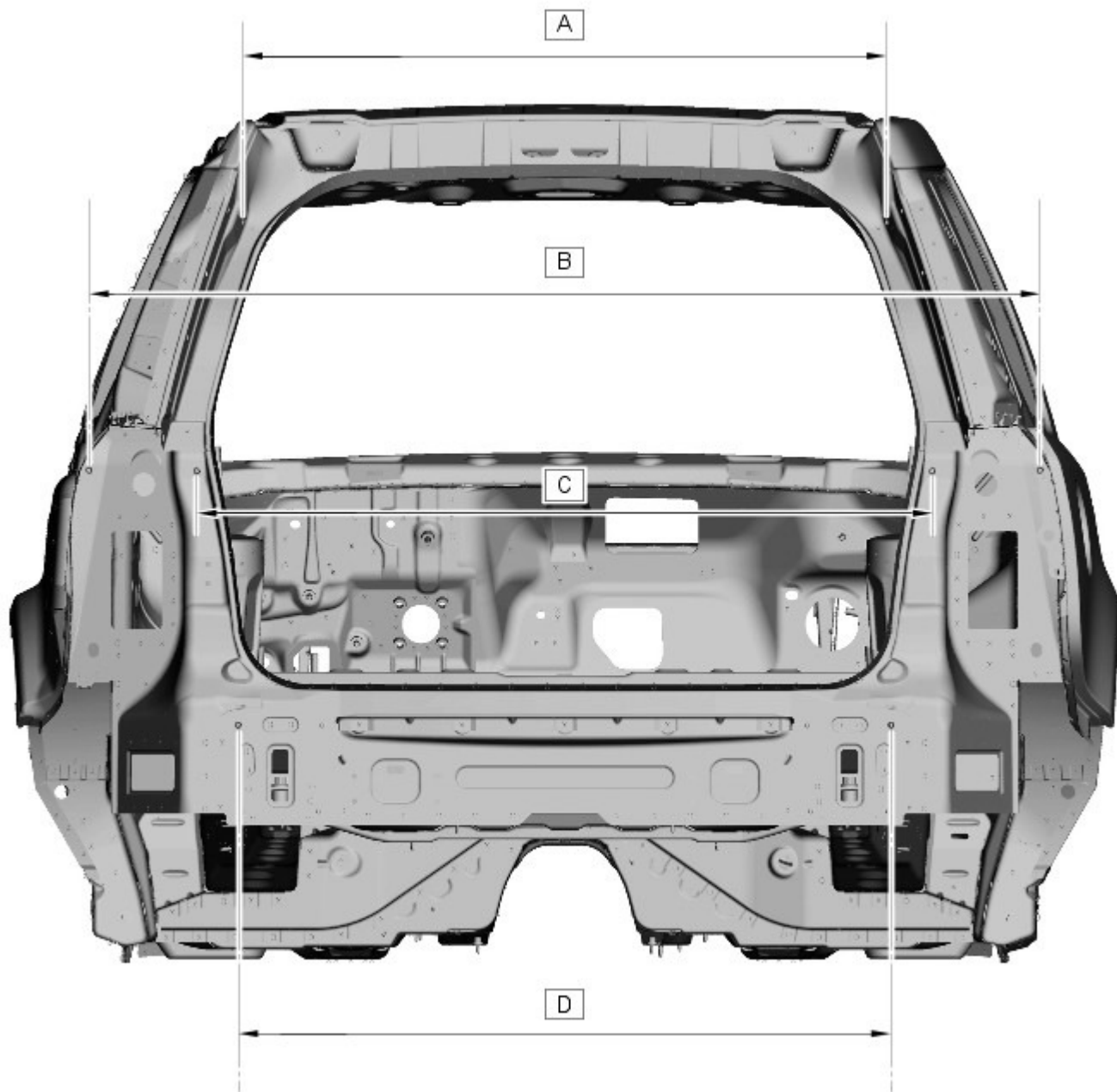
Item	From	To	Dimension
A	Front seat belt retractor fixing hole	Front seat belt anchorage fixing hole	1673.3



E85716

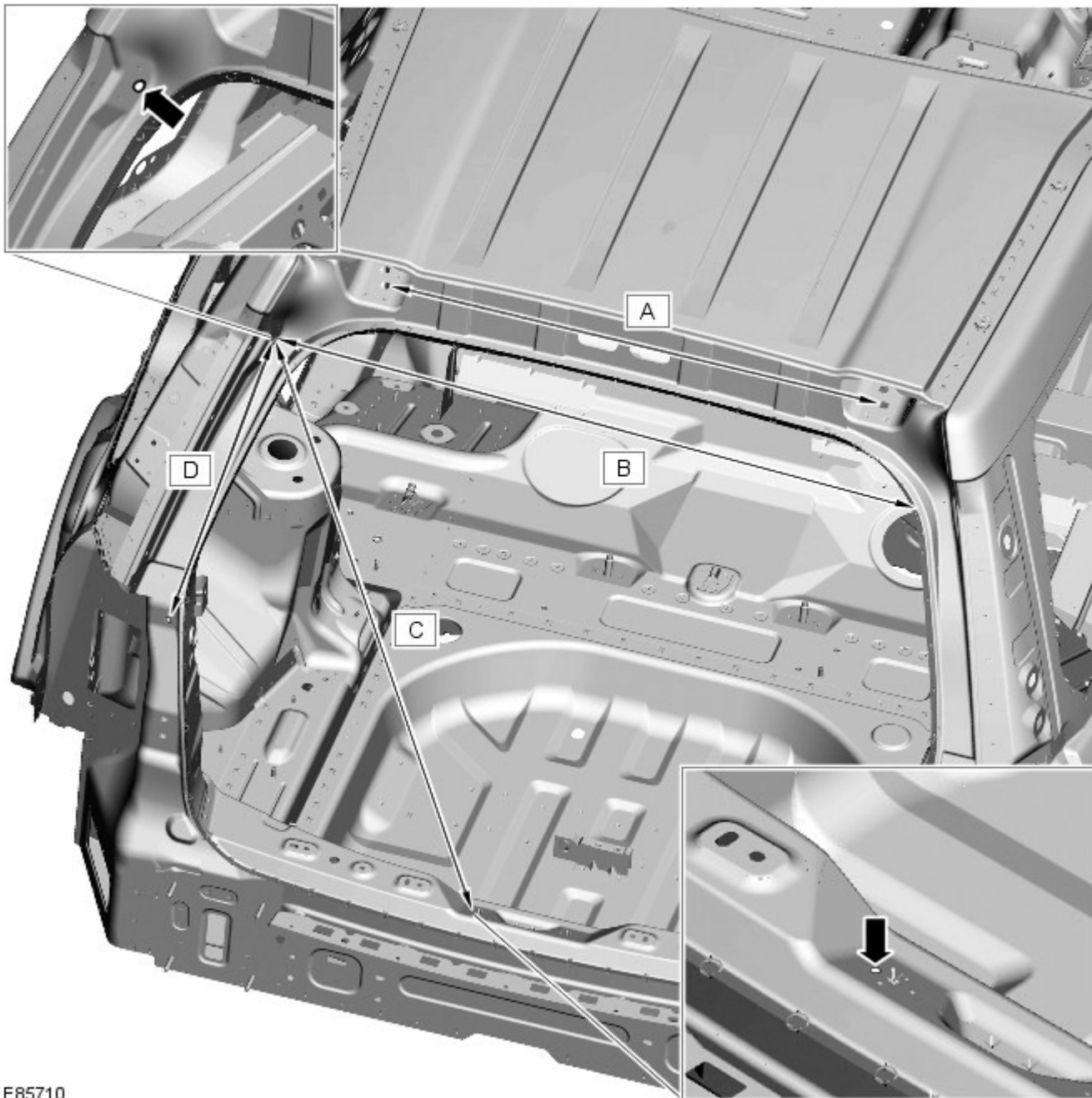
Item	From	To	Dimension
A	Instrument panel carrier RH top fixing hole	Instrument panel carrier LH top fixing hole	1447
B	Instrument panel carrier RH bottom fixing hole	Instrument panel carrier LH bottom fixing hole	1447

Rear End Body Dimensions



E85719

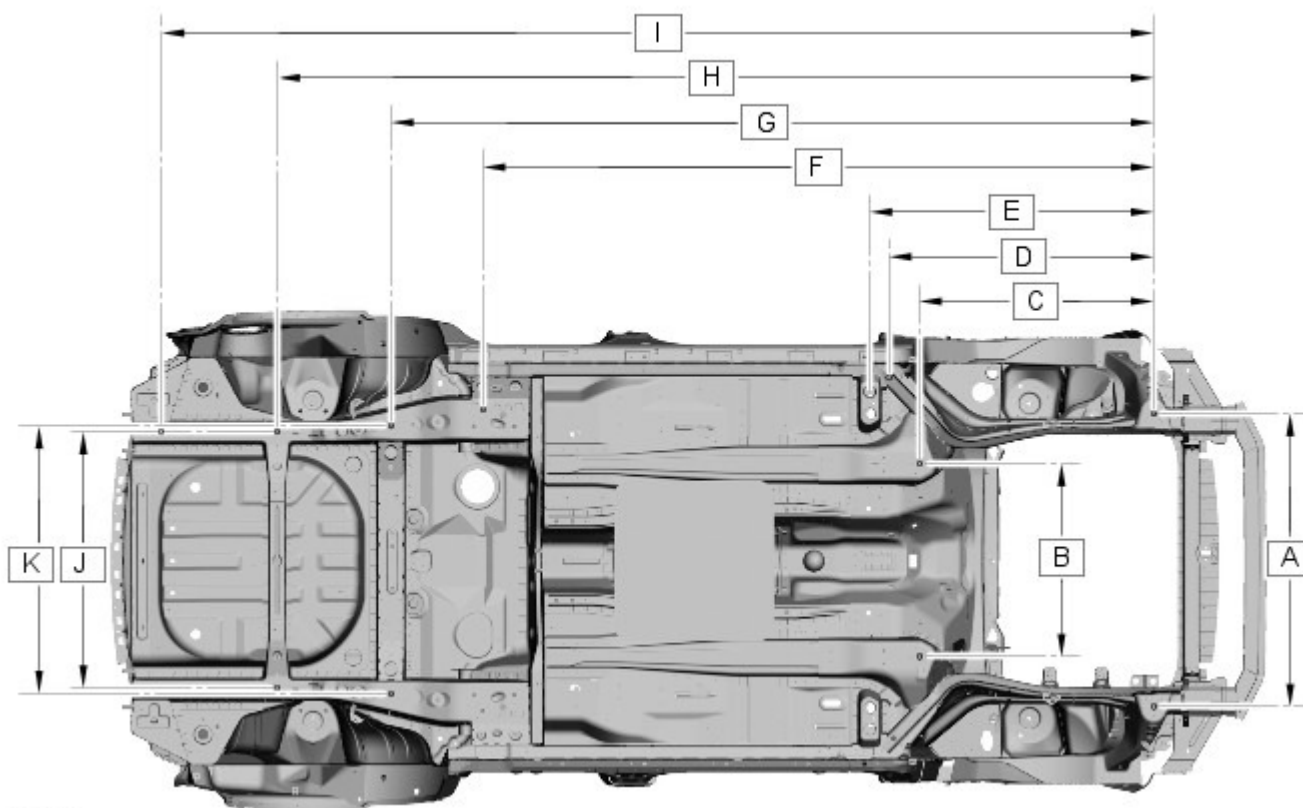
Item	From	To	Dimension
A	RH Gas strut spigot fixing hole	LH Gas strut spigot fixing hole	1086.6
B	RH Rear lamp location hole	LH Rear lamp location hole	1615.2
C	RH Rear lamp top fixing hole	LH Rear lamp top fixing hole	1241.8
D	Rear bumper RH outboard top fixing stud	Rear bumper LH outboard top fixing stud	1101.12



E85710

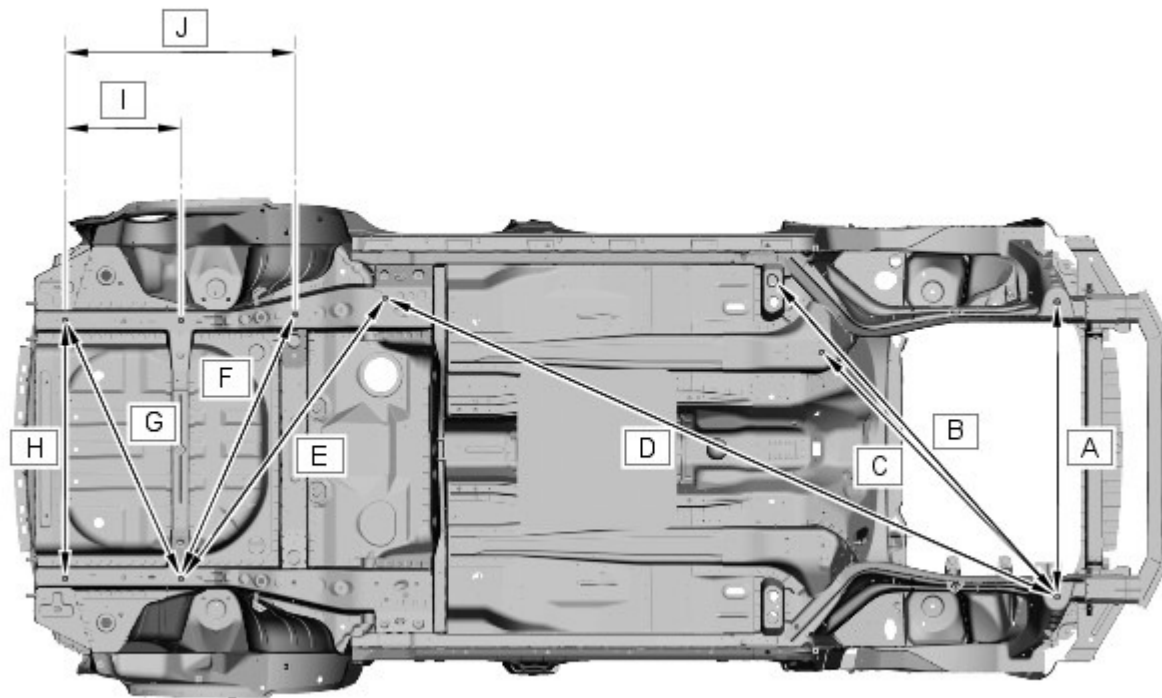
Item	From	To	Dimension
A	Liftgate LH inboard hinge fixing hole	Liftgate RH outboard hinge fixing hole	800
B	LH Gas strut spigot fixing hole	RH Gas strut spigot fixing hole	1086.6
C	LH Gas strut spigot fixing hole	Liftgate LH latch fixing hole	953
D	LH Gas strut spigot fixing hole	LH Rear lamp top fixing hole	475.9

Under Body Dimensions



E85713

Item	From	To	Dimension
A	Front subframe RH front fixing hole	Front subframe LH front fixing hole	1096
B	Front subframe RH rear fixing hole	Front subframe LH rear fixing hole	722
C	Front subframe front fixing hole	Front subframe rear fixing hole	880
D	Front subframe front fixing hole	Side member rear extension tooling hole	976.4
E	Front subframe front fixing hole	Main floor onboard tooling hole	1065.8
F	Front subframe front fixing hole	Trailing arm fixing hole	2517.6
G	Front subframe front fixing hole	Rear subframe front fixing hole	2862
H	Front subframe front fixing hole	Rear subframe rear fixing hole	3288.7
I	Front subframe front fixing hole	Rear towing eye rear fixing hole	3720
J	Rear subframe RH rear fixing hole	Rear subframe LH rear fixing hole	959.4
K	Rear subframe RH front fixing hole	Rear subframe LH front fixing hole	1000



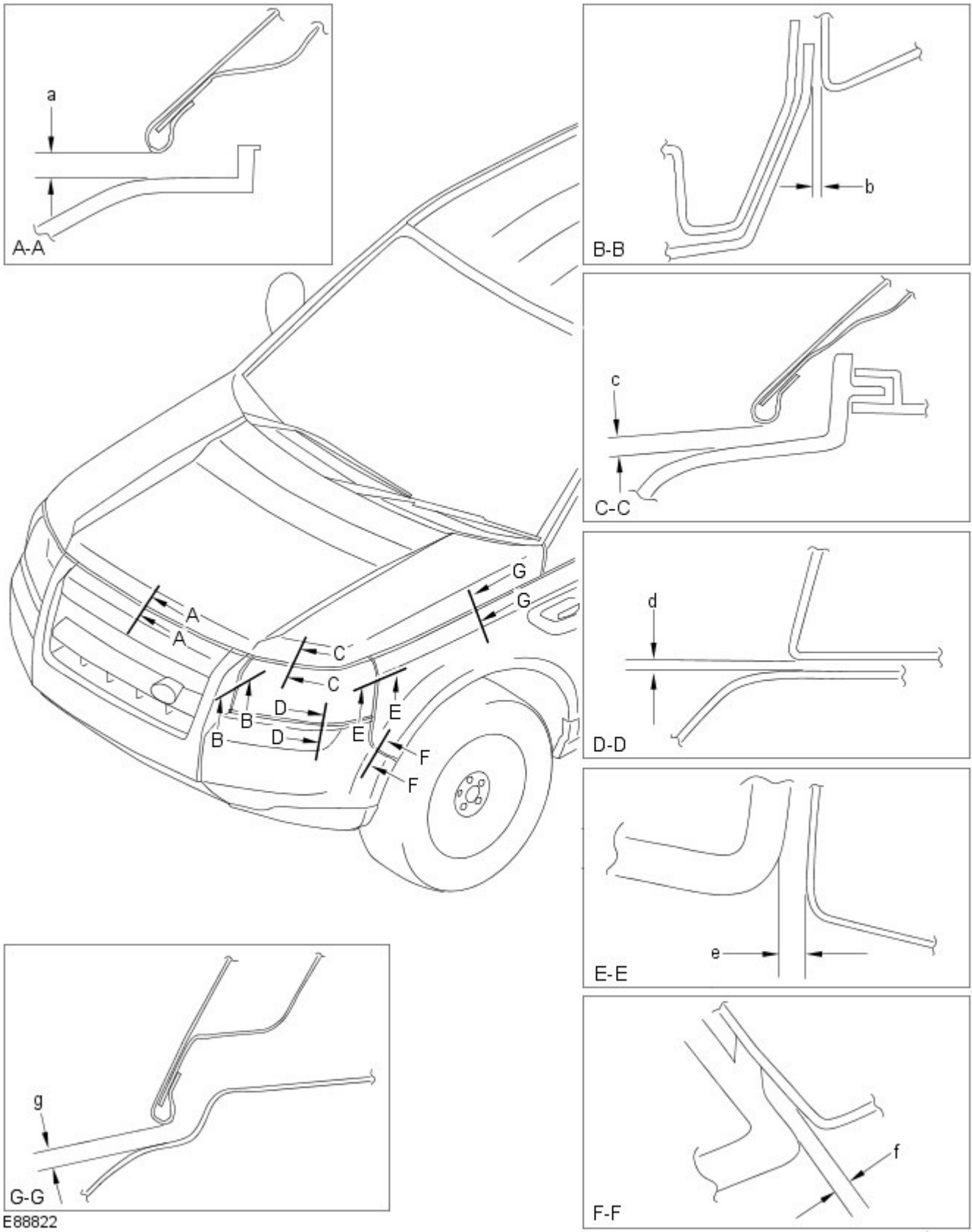
E85717

Item	From	To	Dimension
A	Front subframe RH front fixing hole	Front subframe LH front fixing hole	1096
B	Front subframe front fixing hole	Main floor onboard tooling hole	1606.2
C	Front subframe front fixing hole	Front subframe rear fixing hole	1287.6
D	Front subframe front fixing hole	Trailing arm fixing hole	2754.4
E	Rear subframe rear fixing hole	Trailing arm fixing hole	1302.2
F	Rear subframe rear fixing hole	Rear subframe front fixing hole	1071.2
G	Rear subframe rear fixing hole	Rear towing eye rear fixing hole	1051.9
H	Rear towing eye rear fixing hole	Rear towing eye rear fixing hole	959.4
I	Rear subframe rear fixing hole	Rear towing eye rear fixing hole	431.3
J	Rear subframe front fixing hole	Rear towing eye rear fixing hole	858

Gap and Profile measurements

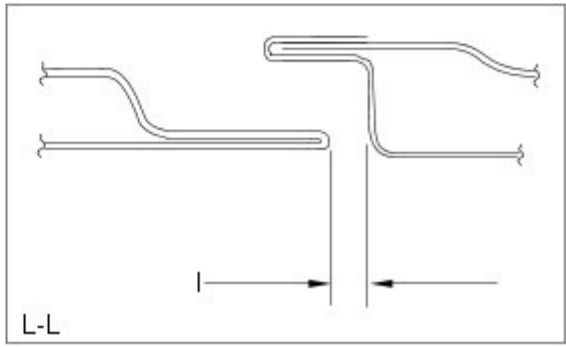
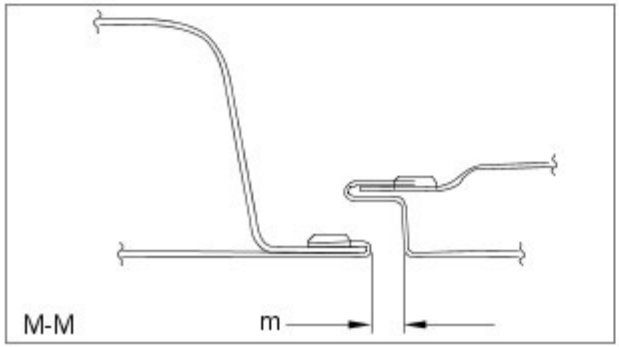
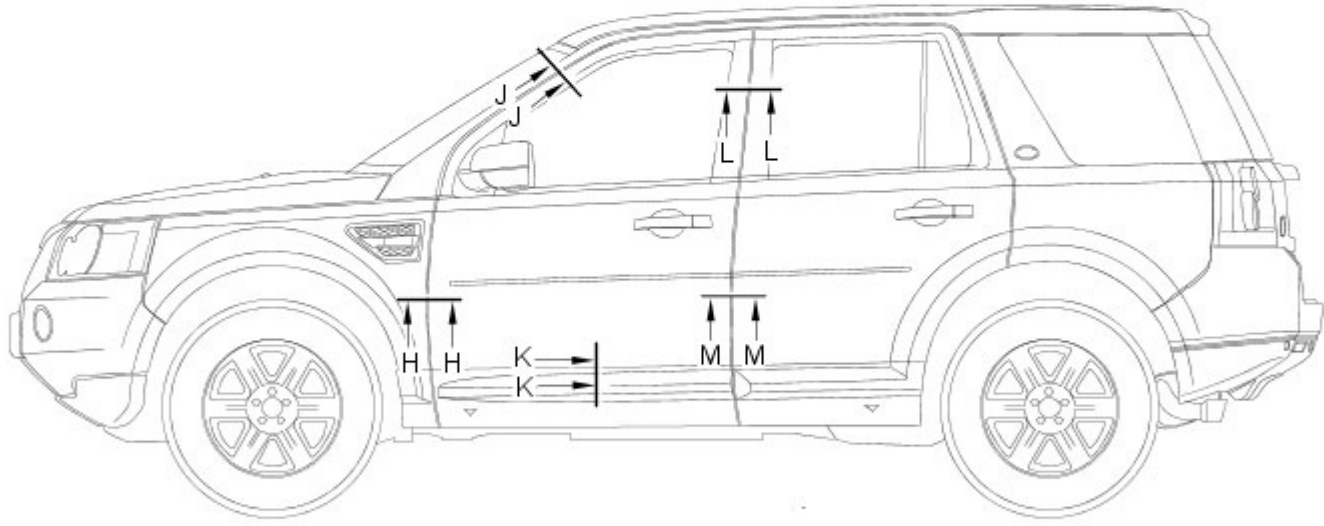
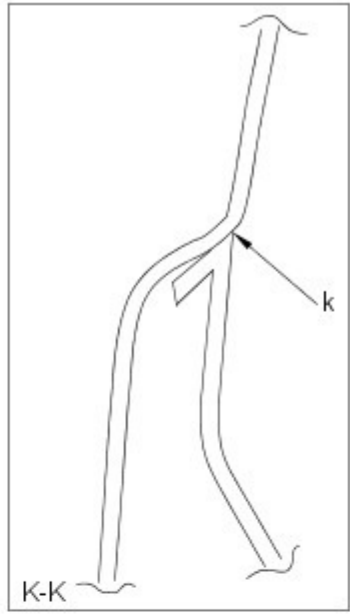
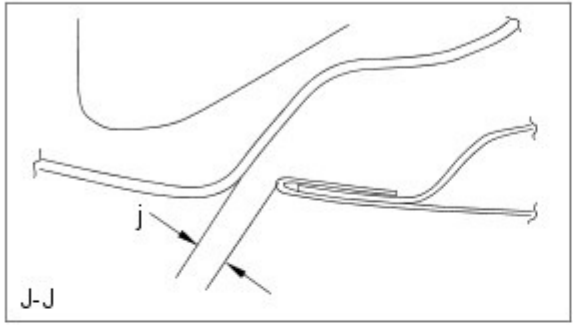
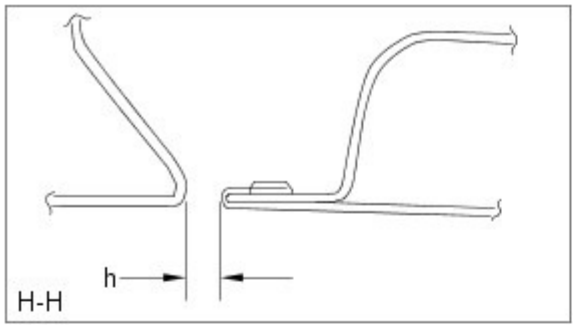
The following information is to be used as a guide to assist the technician in installing exterior body panels and trim items so as to achieve a correctly aligned and cosmetically acceptable vehicle.

- NOTE: All dimensions shown are in millimetres (mm).



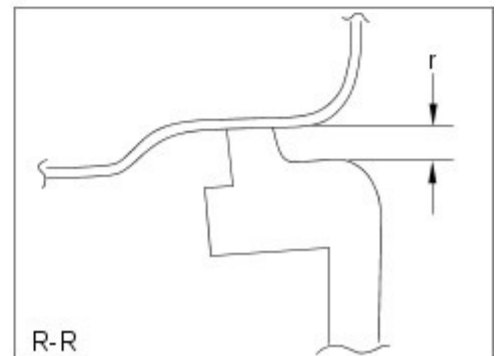
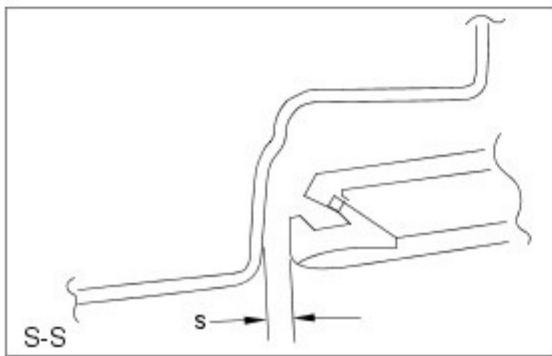
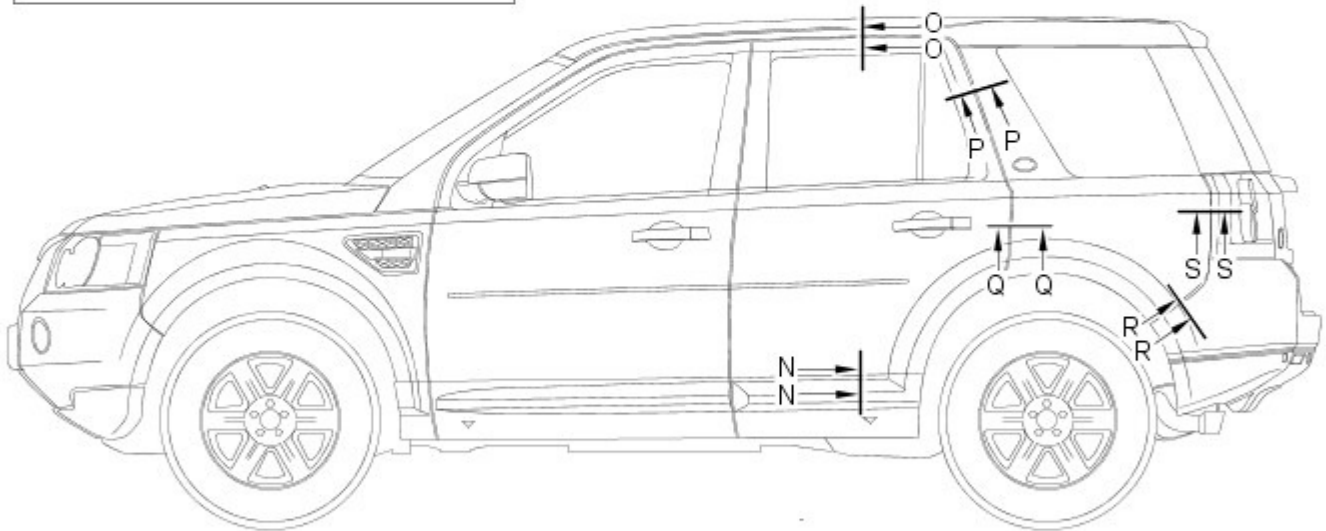
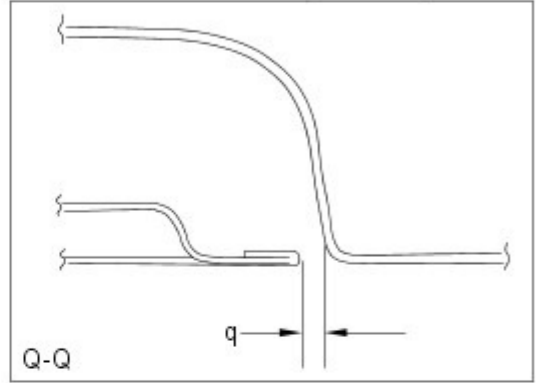
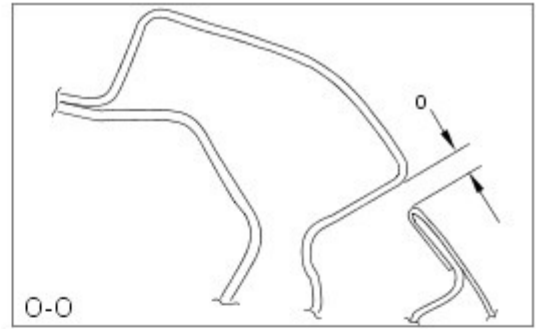
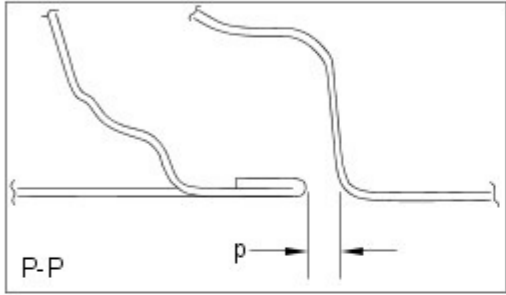
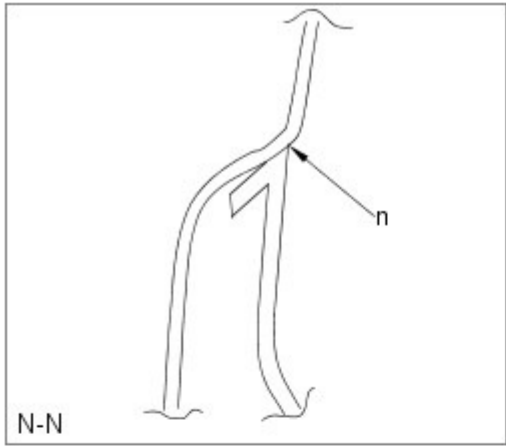
E88822

Section	Description	Gap	Profile
A-A	Hood to bumper cover gap	5.0 +2.0 -0.0	N/A
B-B	Front bumper cover to headlamp gap	5.0 ±2.5 (maximum taper 2.0)	N/A
C-C	Hood to headlamp gap	5.0 +2.0 -0.0	N/A
D-D	Headlamp to bumper cover	4.0 ±2.0	N/A
E-E	Fender to headlamp	3.0 ±1.0	1.0 ±1.5
F-F	Fender to bumper cover	2.0 +1.0 -0.0	1.5 ±1.0
G-G	Fender to bumper cover	5.0 ±1.7	N/A



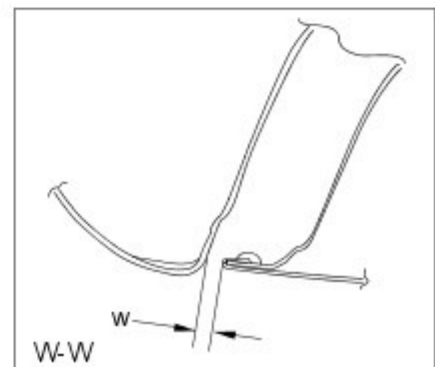
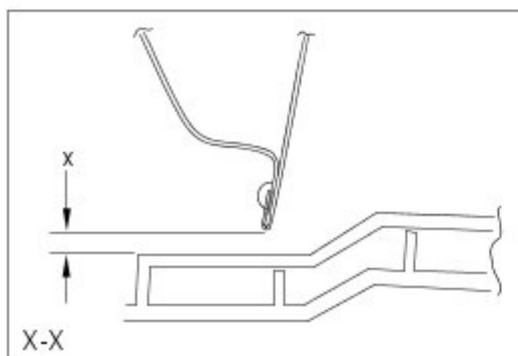
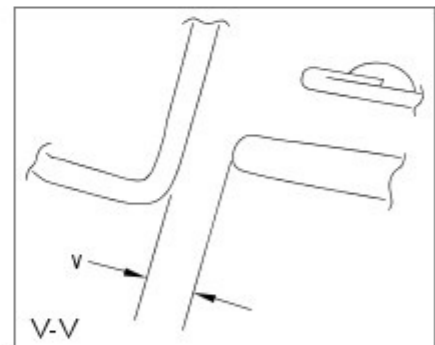
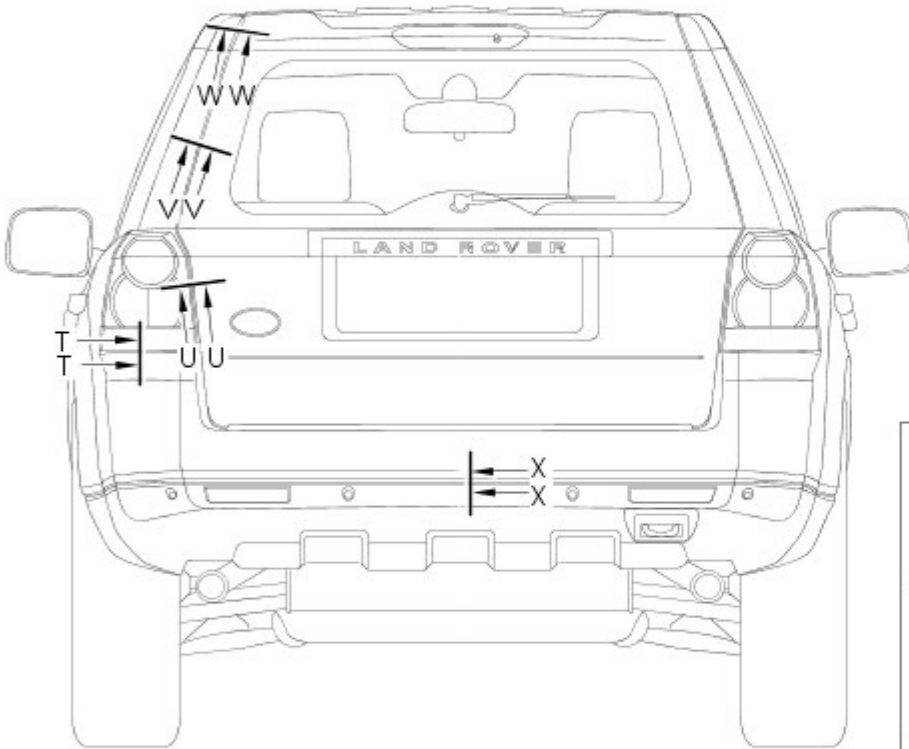
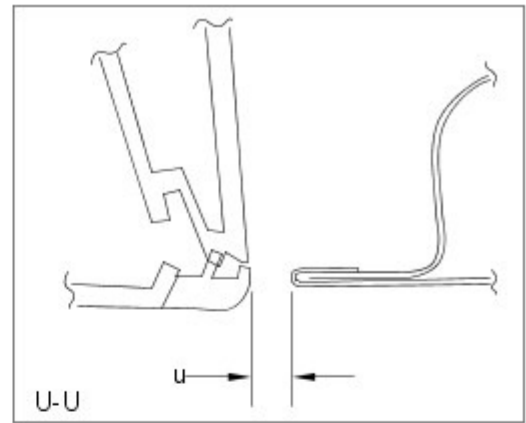
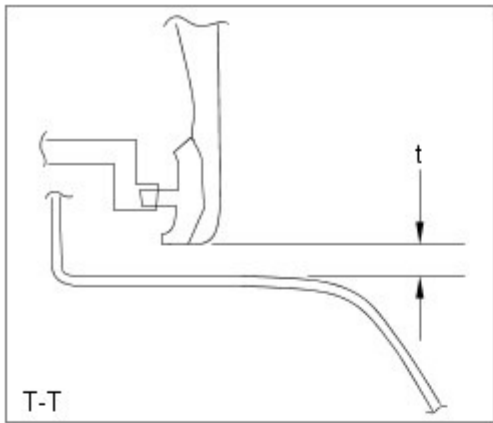
E88823

Section	Description	Gap	Profile
H-H	Fender to front door	5.0 ±1.0	0.7 ±1.0
J-J	Front door to A-Pillar	4.5 ±1.0	-2.5 ±1.2
K-K	Front door finisher to door	0.0 +1.0 -0.0	-2.0 ±1.0
L-L	Front door to rear door	5.0 ±1.0	0.8 ±1.0
M-M	Front door to rear door	5.0 ±1.0	1.0 ±1.0



E88824

Section	Description	Gap	Profile
N-N	Rear door finisher to door	0.0 +1.0 -0.0	-2.0 ±1.0
O-O	Rear door to side panel	4.5 ±1.0	-2.5 ±1.2
P-P	Rear door to side panel	4.5 ±1.0	1.0 ±1.0
Q-Q	Rear door to side panel	5.0 ±1.0	0.5 ±0.5
R-R	Side panel to bumper cover	2.0 +1.0 -0.0	1.5 ±1.0
S-S	Side panel to rear lamp	3.0 ±1.5	1.0 ±1.2



E88825

Section	Description	Gap	Profile
T-T	Rear lamp to bumper cover	3.0 ±2.0	N/A
U-U	Rear lamp to liftgate	5.0 ±1.5	3.0 ±1.3
V-V	D-Pillar trim panel to liftgate glass	5.0 ±2.0	2.5 ±1.3
W-W	Side panel to liftgate	5.0 ±1.5	2.0 ±1.5
X-X	Liftgate to bumper cover	6.0 ±2.7	N/A