


# Exhaust System - I6 3.2L Petrol - Rear Muffler

Removal and Installation

## Special Tool(s)

 E45589	100-051 Cutter, Exhaust Pipe
---	---------------------------------

## Removal

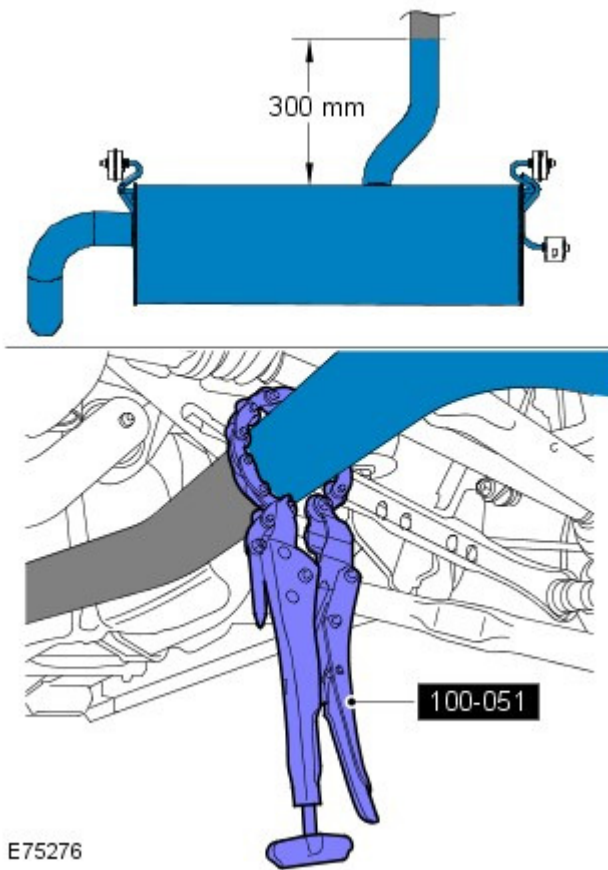
- NOTE: Removal steps in this procedure may contain installation details.

1.  **WARNING:** Make sure to support the vehicle with axle stands.

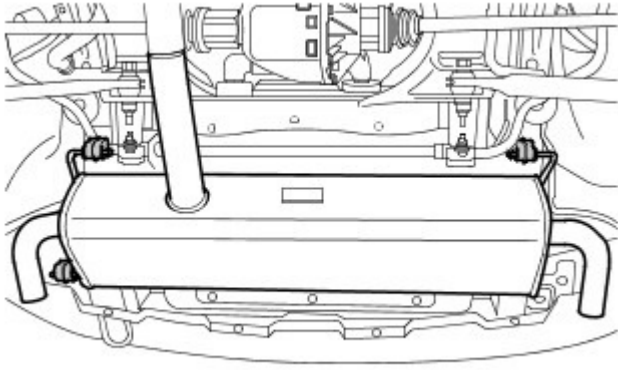
Raise the vehicle on a lift.

2. Using the special tool, cut the exhaust pipe at a distance of 300mm from the front of the rear muffler.

Special Tool(s): [100-051](#)



E75276



E75275

3.  **WARNING:** This step requires the aid of another technician.

## Installation

1. Install the rear muffler and tighten the service sleeve.

*Torque:* 40 Nm