

Part Number Identification Codes - Identification Codes

Description and Operation

VIN Number

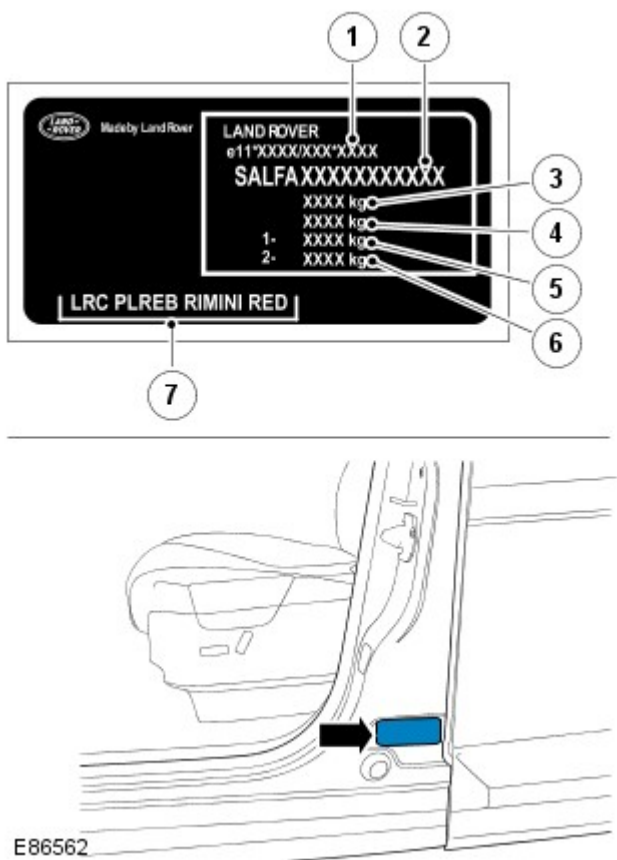
VIN and identification label locations:

- 1. The VIN is stamped on a plate that is visible through the lowest part of the left side of the windshield.
- 2. **UK, Europe and ROW** The VIN label is located at the bottom of the left-hand front door 'B' Pillar.
- 3. **UK, Europe and ROW** The Tire Data/Specification label is attached to the right-hand B-pillar.
- 4. **China** Market specific VIN label at bottom of right-hand 'B' Pillar (RH side for China)
- 5. **USA and Canada** Vin included on market specific tyre label including certification compliance statement on driver's side 'B' Pillar below door striker.
- 6. The VIN is stamped in the body just forward of the spare wheel well.

Windscreen VIN



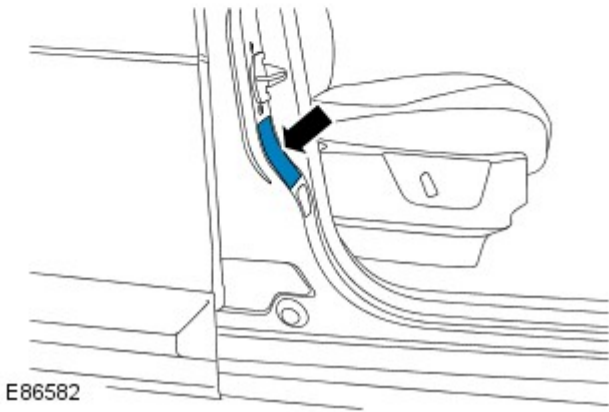
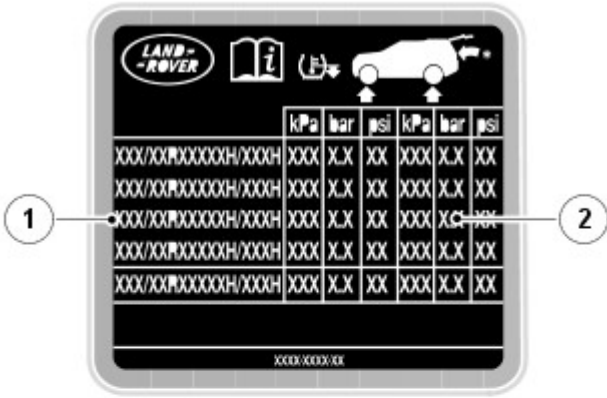
VIN label - UK, Europe and ROW



Item	Part Number	Description
1	-	Type/Approval Number - If shown
2	-	VIN Number

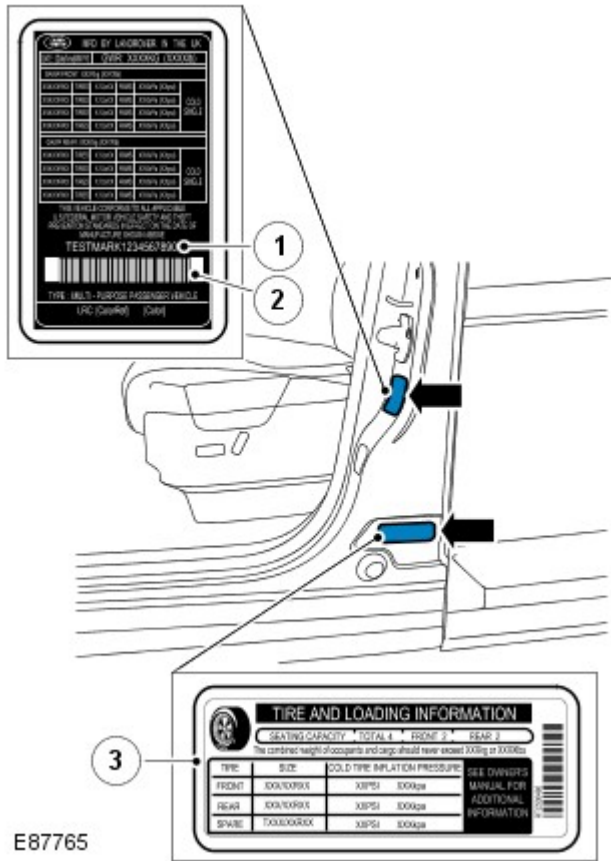
3		Gross Vehicle Weight
4		Gross Trailer Weight
5		Front Axle Weight
6		Rear Axle Weight
7		Colour Code Group

Tire Data Label



Item	Description
1	Tire Size
2	Tire Pressures

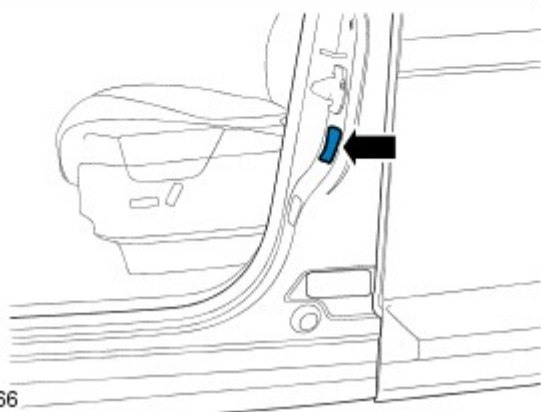
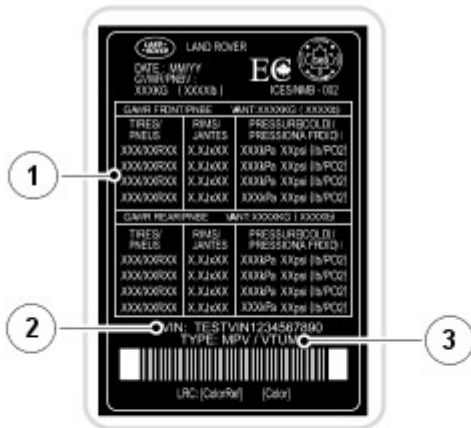
VIN/Certification/Tire data label - NAS only



E87765

Item	Description
1	Vehicle VIN Number
2	Bar Code Identification
3	Tire Pressures

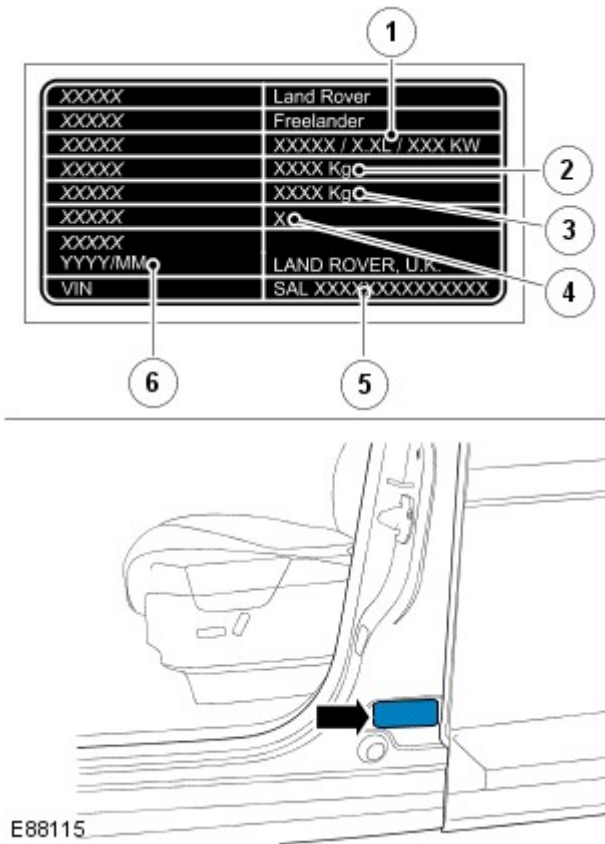
VIN/Tire pressure label - Canada only



E87766

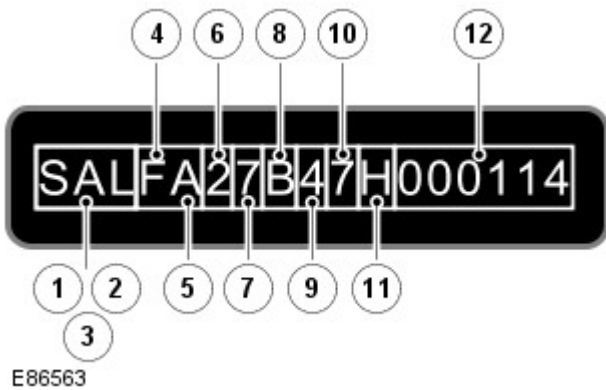
Item	Description
1	Tire Pressures
2	Vehicle VIN Number
3	Vehicle Type

VIN label - China



Item	Description
1	Engine Type / Capacity / Power
2	Gross Vehicle Weight
3	Gross Train Weight
4	Occupancy
5	Vehicle VIN Number
6	Build Date

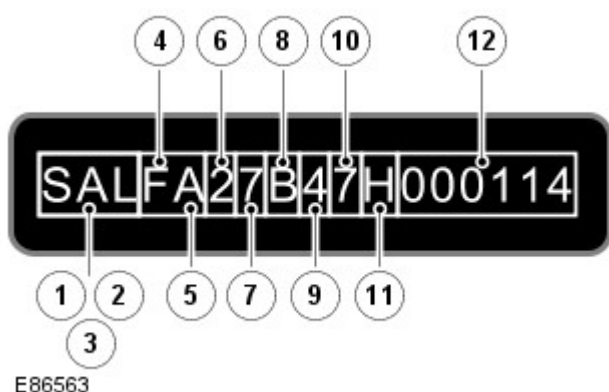
VIN number - UK, EU and ROW (vehicles built up to 2010MY)



VIN Position	Character	Identifies
1 - 3 - World identifier	SAL	Land Rover (UK)
4 - Vehicle type	F	Freelanders 2

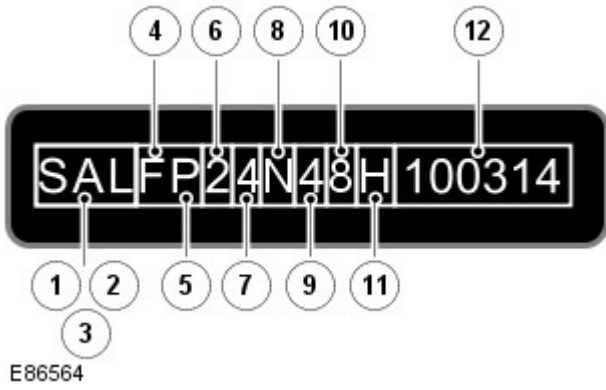
VIN Position	Character	Identifies
5 - Class	A	Standard
6 - Body Type	2	4 Door
6 - Body Type	4	Commercial
7 - Transmission and Steering	3	RHD, Automatic transmission
7 - Transmission and Steering	4	LHD, Automatic transmission
7 - Transmission and Steering	7	RHD, Manual transmission
7 - Transmission and Steering	8	LHD, Manual transmission
8 - Engine	A	3.2L Petrol
8 - Engine	B	2.2L Diesel
8 - Engine	C	2.2L Diesel with cDPF
9- Check Digit	4	Derived by calculation: 0-9 or X
10 - Model year	7	2007
10 - Model year	8	2008
10 - Model year	9	2009
11 - Plant	H	Halewood
12 - 17 - Serial number	000114	Unique six digit serial number

VIN number - UK, EU and ROW (vehicles built from 2010MY)



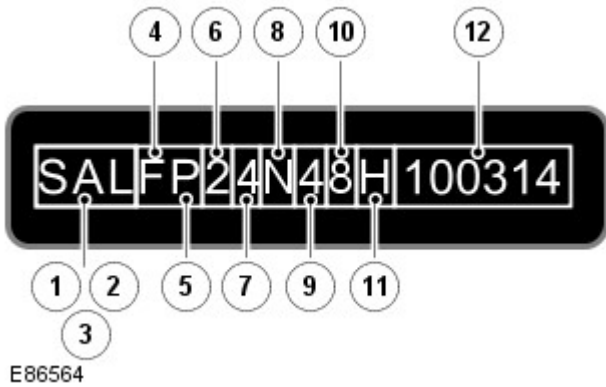
VIN Position	Character	Identifies
1 - 3 - World identifier	SAL	Land Rover (UK)
4 - Vehicle type	F	Freelander 2
5 - Class	A	Standard - 4WD
5 - Class	B	Standard - 2WD (diesel manual only) - 2011MY onwards
6 - Body Type	2	4 Door
7 - Transmission and Steering	A	RHD, Automatic transmission
7 - Transmission and Steering	B	LHD, Automatic transmission
7 - Transmission and Steering	C	RHD, Manual transmission
7 - Transmission and Steering	D	LHD, Manual transmission
8 - Engine	A	3.2L Petrol
8 - Engine	B	2.2L Diesel (low power)
8 - Engine	C	2.2L Diesel with cDPF (low power)
8 - Engine	D	2.2L Diesel (high power) - 2011MY onwards
8 - Engine	E	2.2L Diesel with cDPF (high power) - 2011MY onwards
8 - Engine	G	2.0L Petrol- 2012 MY onwards
9- Check Digit	4	Derived by calculation: 0-9 or X
10 - Model year	A	2010
10 - Model year	B	2011
10 - Model year	C	2012
11 - Plant	H	Halewood
11 - Plant	L	Pune (India) - 2011MY onwards
12 - 17 - Serial number	000114	Unique six digit serial number

VIN number - NAS and Canada (vehicles built up to 2010MY)



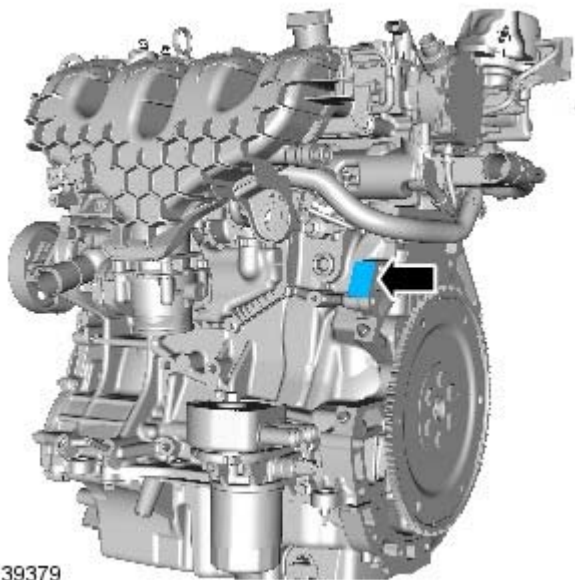
VIN Position	Character	Identifies
1 - 3 - World identifier	SAL	Land Rover (UK)
4 - Model range	F	LR2
5 - Class	P	NAS SE
5 - Class	R	NAS HSE
5 - Class	S	NAS SE+Technology pack
5 - Class	T	NAS HSE+Technology pack
6 - Body Type	2	4 Door
7 - Transmission and Steering	4	LHD, Automatic transmission
8 - Engine	N	3.2L Petrol, ULEV 2 NAS
9 - Check digit	4	Derived by calculation: 0-9 or X
10 - Model year	8	2008
10 - Model year	9	2009
11 - Plant	H	Halewood
12 - 17 - Serial number	100314	Unique six digit serial number

VIN number - NAS and Canada (vehicles built from 2010MY)



VIN Position	Character	Identifies
1 - 3 - World identifier	SAL	Land Rover (UK)
4 - Model range	F	LR2
5 - Class	P	NAS SE
5 - Class	R	NAS HSE
5 - Class	S	NAS SE+Lux pack
5 - Class	T	NAS HSE+Lux pack
6 - Body Type	2	4 Door
7 - Transmission and Steering	B	LHD, Automatic transmission
8 - Engine	N	3.2L Petrol, ULEV 2 NAS
9 - Check digit	4	Derived by calculation: 0-9 or X
10 - Model year	A	2010
10 - Model year	B	2011
10 - Model year	C	2012
11 - Plant	H	Halewood
12 - 17 - Serial number	100314	Unique six digit serial number

2.0 Liter Petrol Engine Serial Number



E139379

The 2.0 Liter Petrol Engine Serial Number is stamped on the RH side of the cylinder block.

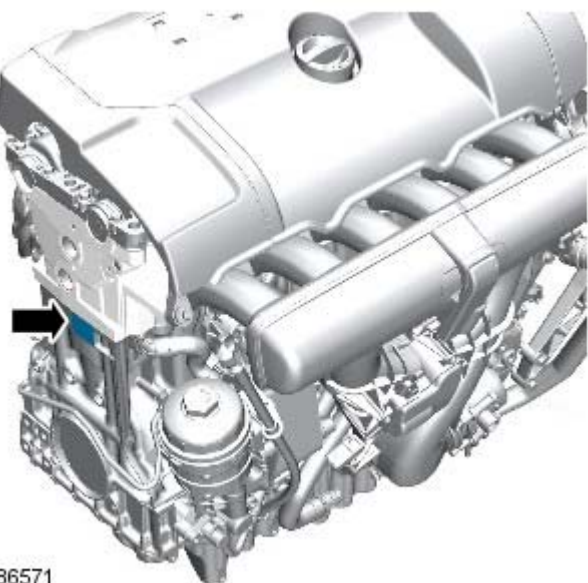
2.2 Liter Diesel Engine Serial Number



E86572

The 2.2 Liter Diesel Engine Serial Number is stamped on the RH side of the cylinder block.

3.2 Liter Petrol Engine Serial Number



E86571

The 3.2 Liter Petrol Engine Serial Number is etched into the LH side of the engine block.

Automatic Transmission Serial Number



E86567

The Automatic Transmission Serial Number is stamped on the LH side of the transmission casing.

Manual Transmission Serial Number



E86568

The Manual Transmission Serial Number is stamped on the transmission casing.

Rear Differential Serial Number



The Rear Differential Serial Number is stamped on the side of the differential casing.

Power transfer unit



The number is stamped on the underside of the casing.