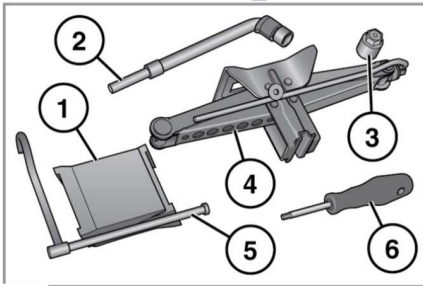


7 seat vehicles

Lift the loadspace floor to access the tool kit.



1. Wheel chocks.
2. Wheel brace.
3. Locking wheel nut adaptor.
4. Jack.
5. Winch handle for lowering the temporary use spare wheel.
6. Rear bumper cover removal tool.

Note: Examine the jack occasionally, clean and grease the moving parts, particularly the screw thread, to prevent corrosion.

REMOVING THE SPARE WHEEL



Remove the temporary spare wheel prior to jacking the vehicle, to avoid destabilising the vehicle when raised. Do not stow the wheel while the vehicle is raised on the jack.



The temporary spare wheel is extremely heavy and if handled incorrectly may cause injury. Use extreme caution when lifting or manoeuvring the wheels.

5 seat vehicles



Always secure the temporary spare wheel, or the removed wheel, in the correct position using the retaining bolt.

1. Lift the loadspace floor to access the temporary spare wheel.
2. Turn the temporary spare wheel locking ring counter-clockwise to gain access to the retaining bolt.
3. Turn the retaining bolt counter-clockwise until it comes free.
4. Remove the temporary spare wheel.

7 seat vehicles



The wheels are extremely heavy. Always take care when operating the spare wheel winch while removing or stowing the temporary spare wheel and the road wheel.



It is recommended that the road wheel is always stowed underneath the vehicle following a puncture.



Always stow a road wheel, and the temporary spare wheel with the outer face of the wheel facing upwards.



Do not operate the winch (retracting or extracting the cable) without pre-tensioning the cable as you do so. Doing so may cause damage to the winch. This pre-tensioning can be achieved, either with the weight of a temporary spare wheel, a road wheel, or by maintaining a tension using your hand.

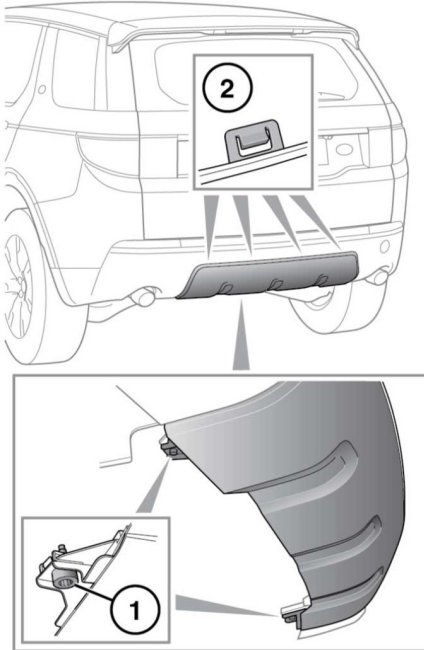
Wheel changing

⚠ If when using your hand to tension the winch cable, take care not to trap your fingers.

! Do not use power tools to lower the temporary spare wheel. Doing so may damage the winch mechanism.

The temporary spare wheel is located underneath the rear of the vehicle. The winch to lower the spare wheel is located in the bottom of the tool tray.

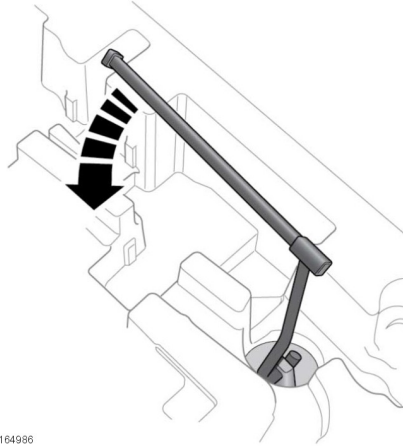
Before lowering the temporary spare wheel, remove the cover in the rear bumper.



E166774

1. Using the special tool located in the tool tray, remove the 2 fixings (1) and store them in a safe place. See **260, TOOL KIT**.
2. Remove the cover, easing it off the 4 retaining clips (2).

Note: The cover cannot be refitted after the full size wheel is to be stowed under the vehicle. Store the cover in the loadspace.



E164986

To remove the spare wheel:

1. Remove the jack to allow access to the temporary spare wheel winch.
2. Fit the winch handle to the temporary spare wheel winch and rotate counter-clockwise to lower the spare wheel.

Note: To avoid damage to the side trim and third row seats (if raised), slide the winch handle through the tube to shorten the handle.

3. Rotate the winch handle until the temporary spare wheel is on the ground and the winch cable is slack.

Note: Do not attempt to turn the winch beyond the physical stop.

To release the wheel from the winch: