

Published: Nov 17, 2006

## Rear Bumper Cover

### Removal

**NOTE:**

New bumper covers are supplied without the four holes for the park distance control sensors.

1.



**WARNING: Do not work on or under a vehicle supported only by a jack. Always support the vehicle on safety stands.**

Raise and support the vehicle.

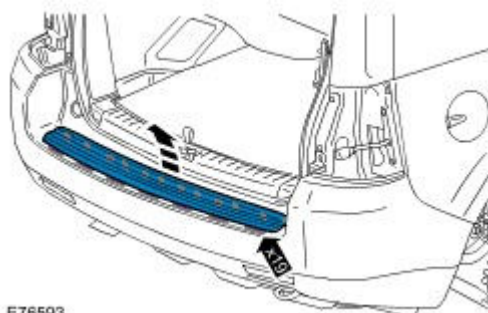
2. Remove both rear wheels and tires.

For additional information, refer to [Wheel and Tire](#).

3. Remove the rear lamp assemblies.

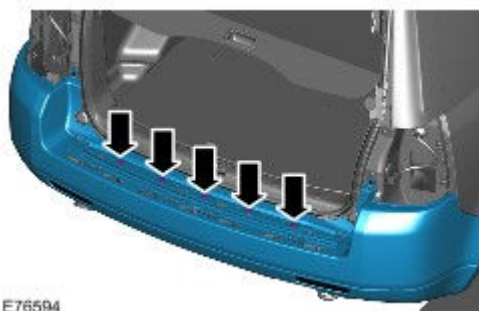
For additional information, refer to [Rear Lamp Assembly](#).

4.



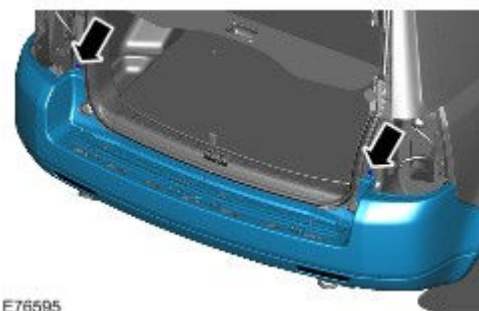
E76593

5.



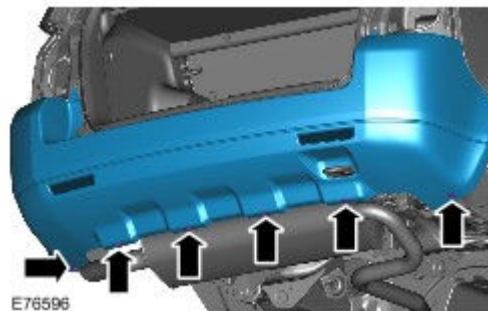
E76594

6.



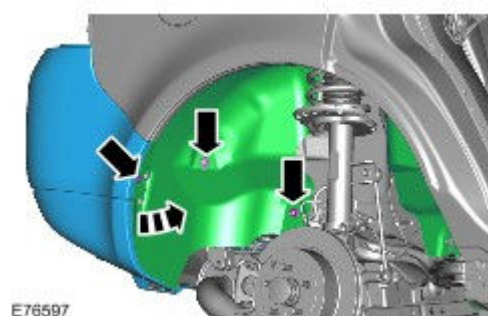
E76595

7 .



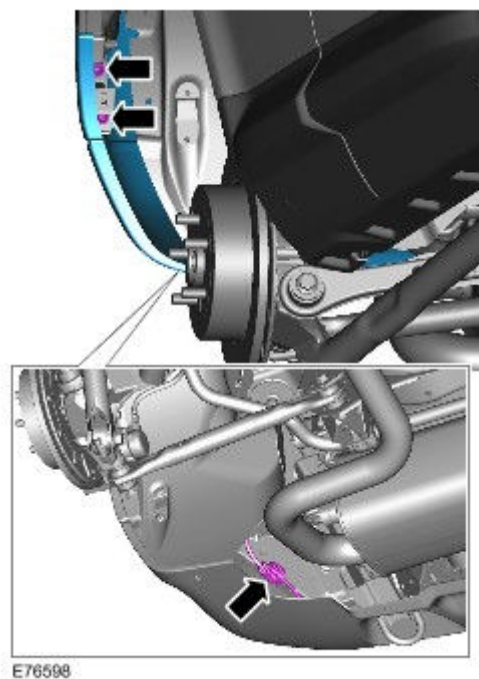
8 . Release the rear lower edge of the rear fender splash shield.

Repeat the above procedure for the other side.

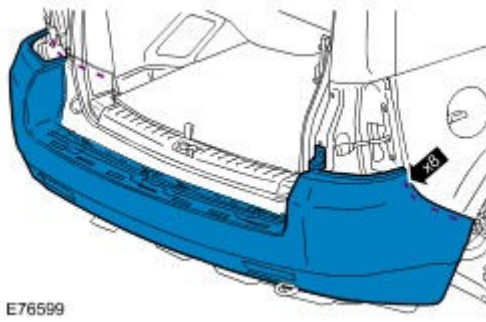


9 . If installed, disconnect the parking aid sensor wiring harness electrical connector.

Repeat the above procedure for the other side.



10 .



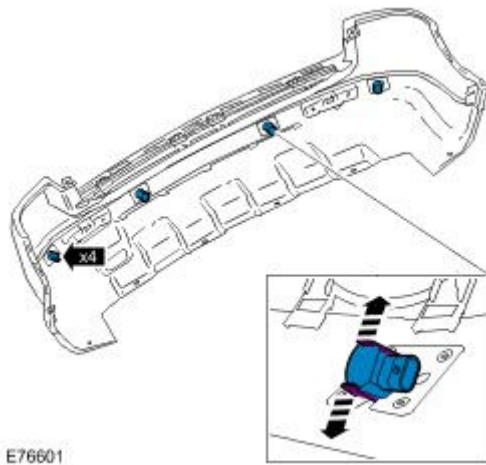
11 . **NOTE:**

Do not disassemble further if the component is removed for access only.

If installed, remove the parking aid sensor wiring harness.



12 . If installed, remove the 4 parking aid sensors.

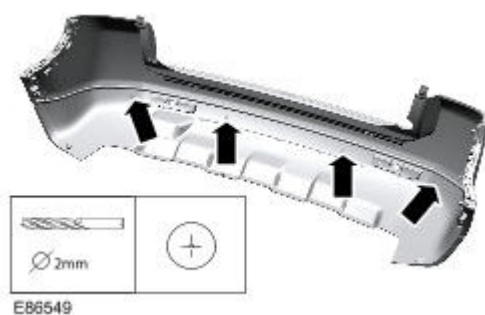


13 .

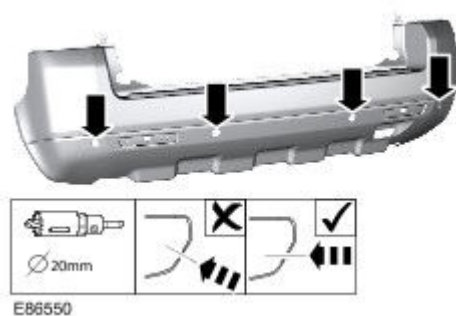


## Installation

1.



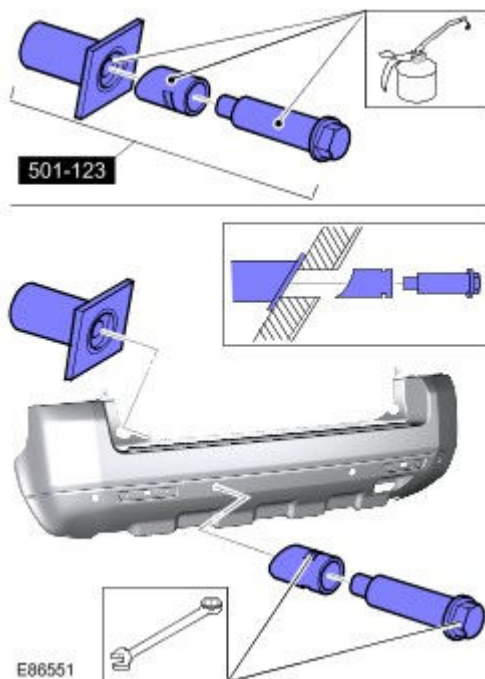
2.



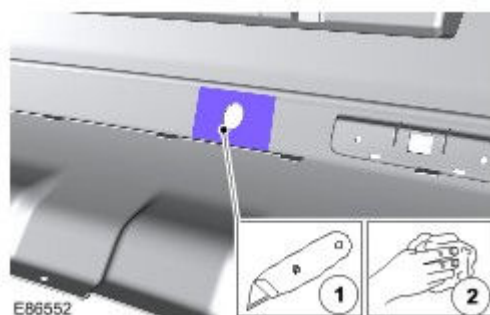
3.




**CAUTION:** Align the special tool cutting edge with the contour of the bumper cover. Make sure it does not rotate while cutting the hole.



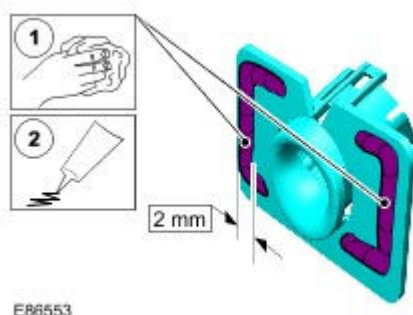
4.



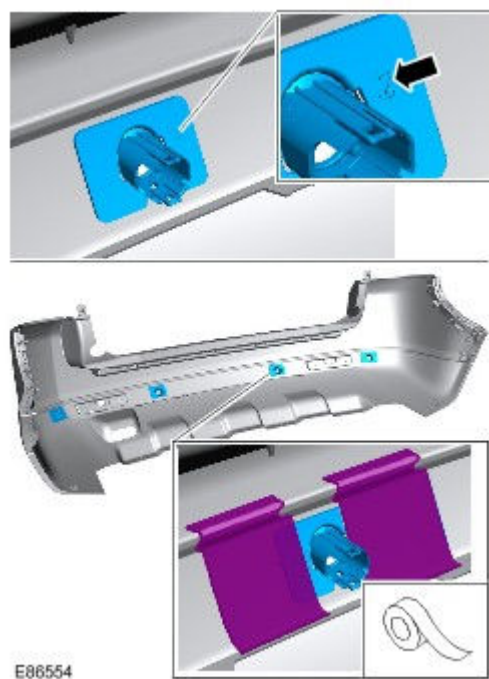
5.  **CAUTION:** To avoid excess adhesive being pushed through the cut bumper hole when fitting the trims, ensure the adhesive is applied as illustrated.

For adhesive information, refer to the specification section.

For additional information, refer to [Specifications](#)



6.  **CAUTION:** Allow adhesive to cure for 2 hours before proceeding to fit bumper.



7. Install the reflectors.

- 8 . Install the parking aid sensors.
- 9 . Install the parking aid sensor wiring harness.
- 10 . Install the rear bumper cover.
- 11 . Secure the fender splash shield.
- 12 . Install the bumper cover trim panel.
- 13 . Install the rear lamp assemblies.  
For additional information, refer to [Rear Lamp Assembly](#).
- 14 . Install the wheels and tires.  
For additional information, refer to [Wheel and Tire](#).