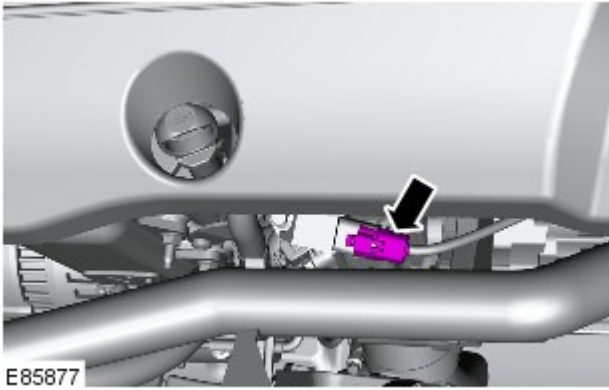


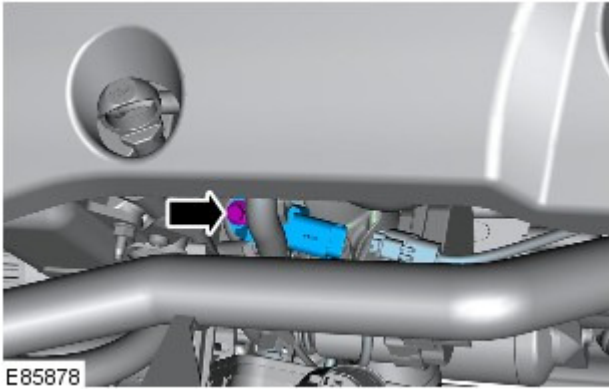
Electronic Engine Controls - TD4 2.2L Diesel - Manifold Absolute Pressure (MAP) Sensor

Removal and Installation

Removal



1.



2. Torque: 10 Nm

Installation

1. To install, reverse the removal procedure.