

## Bumpers - Rear Bumper Cover

Removal and Installation

### Removal

- NOTE: New bumper covers are supplied without the four holes for the park distance control sensors.

1.  **WARNING:** Do not work on or under a vehicle supported only by a jack. Always support the vehicle on safety stands.

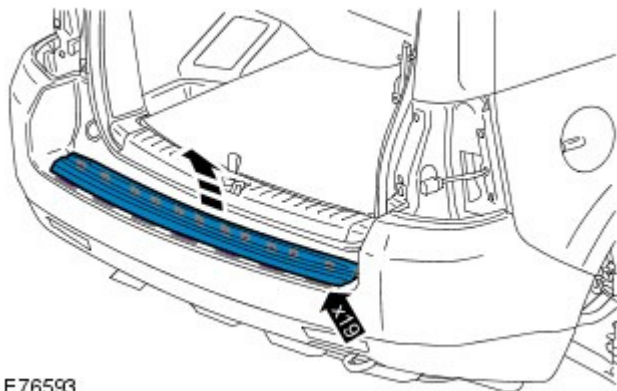
Raise and support the vehicle.

2. Remove both rear wheels and tires.

Refer to: [Wheel and Tire](#) (204-04 Wheels and Tires, Removal and Installation).

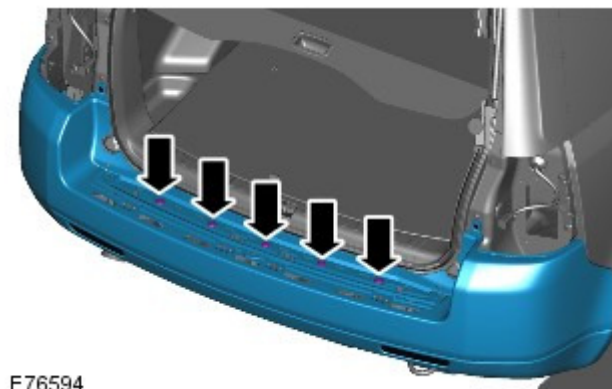
3. Remove the rear lamp assemblies.

Refer to: [Rear Lamp Assembly](#) (417-01 Exterior Lighting, Removal and Installation).



E76593

4.



E76594

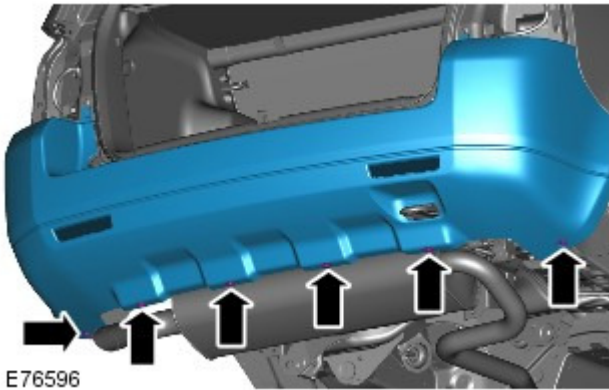
5.

6.



E76595

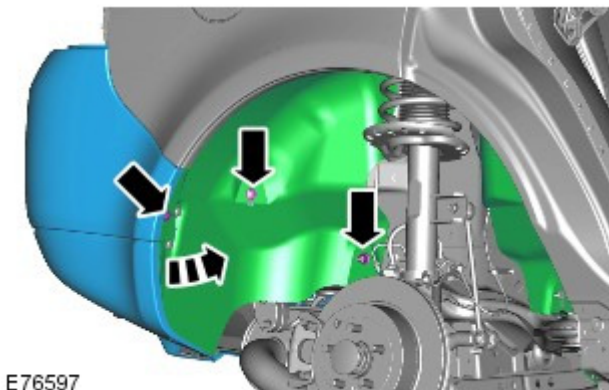
7.



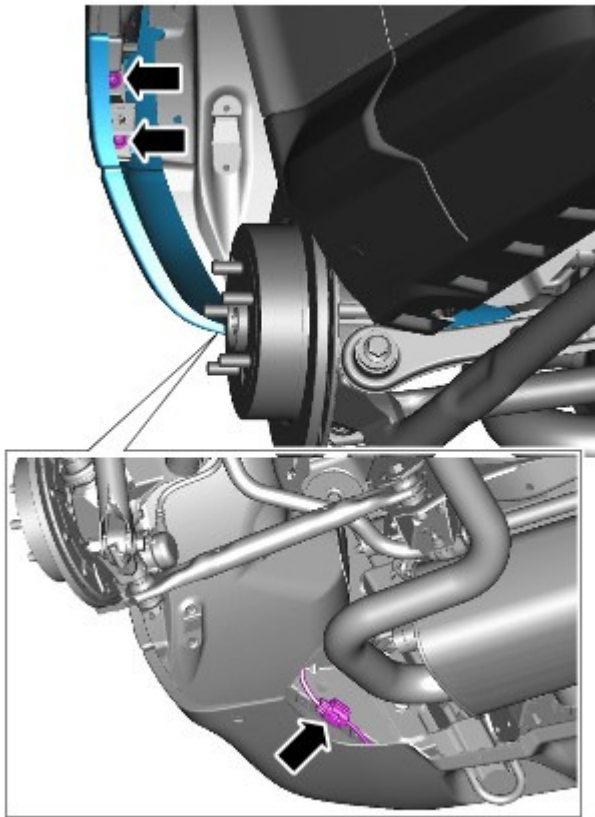
E76596

8.

- Release the rear lower edge of the rear fender splash shield.
- Repeat the above procedure for the other side.

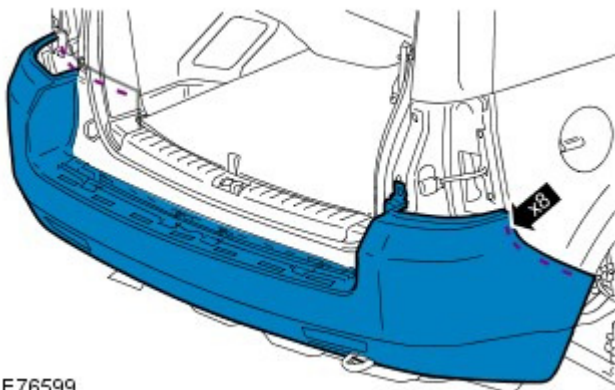


E76597



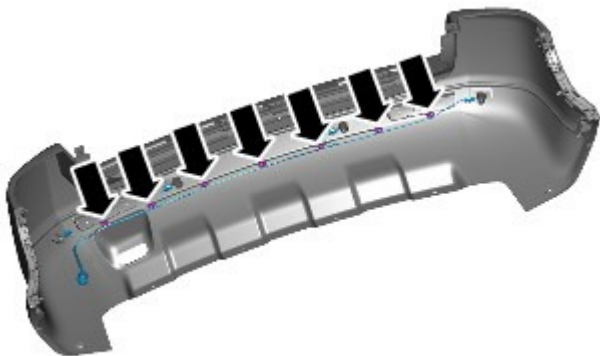
E 76598

- 9.
- If installed, disconnect the parking aid sensor wiring harness electrical connector.
  - Repeat the above procedure for the other side.



E76599

10.

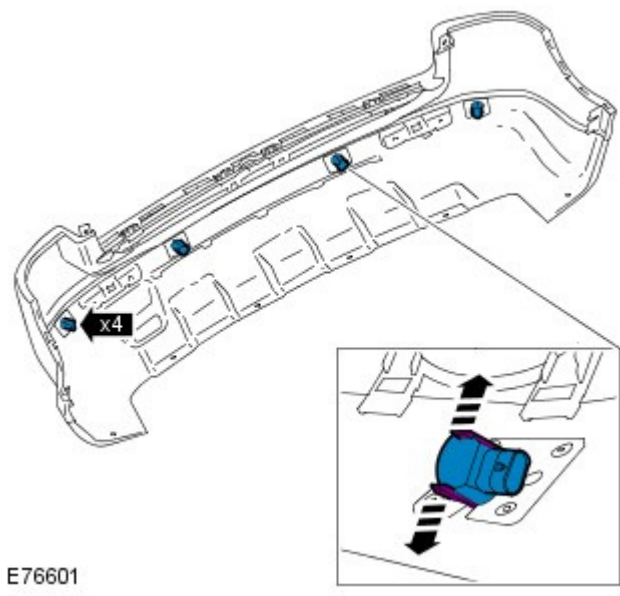


E76600

11. **11.** NOTE: Do not disassemble further if the component is removed for access only.

If installed, remove the parking aid sensor wiring harness.

12. If installed, remove the 4 parking aid sensors.



E76601

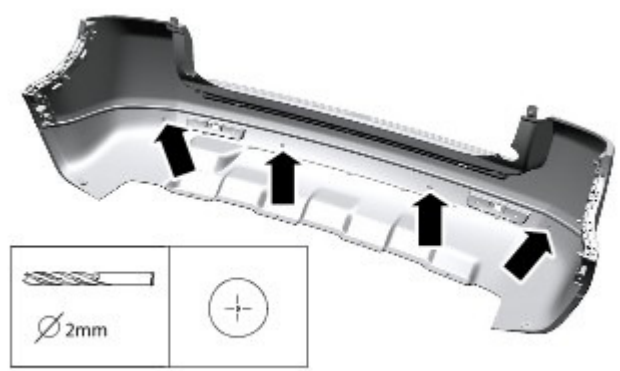
13.



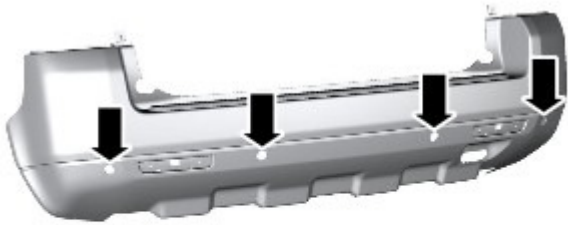
E76602

### Installation

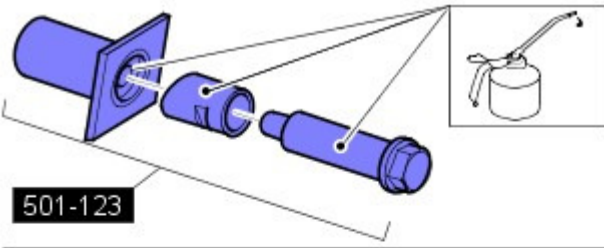
1.



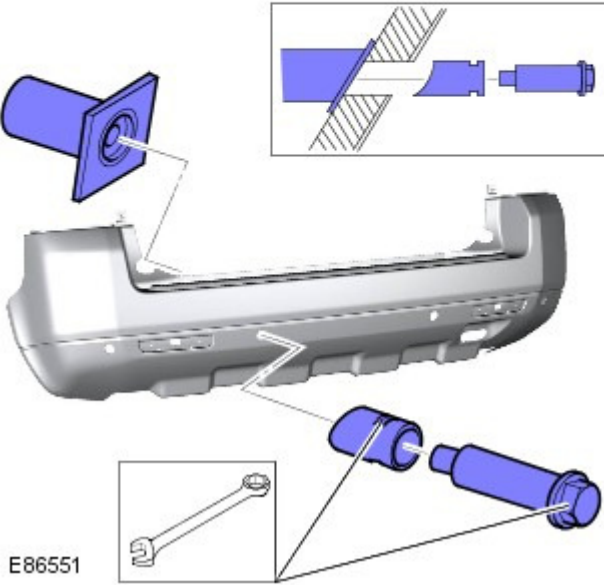
E86549



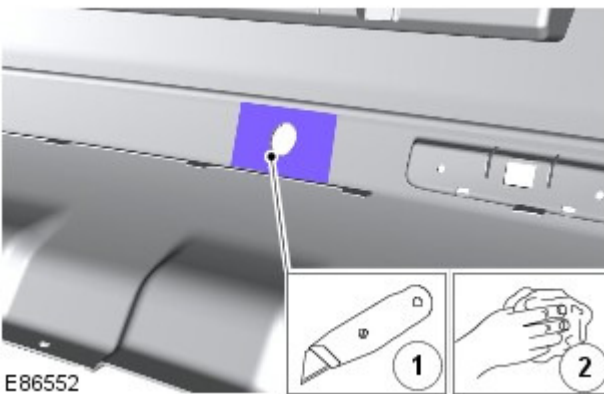
E86550



501-123




E86551

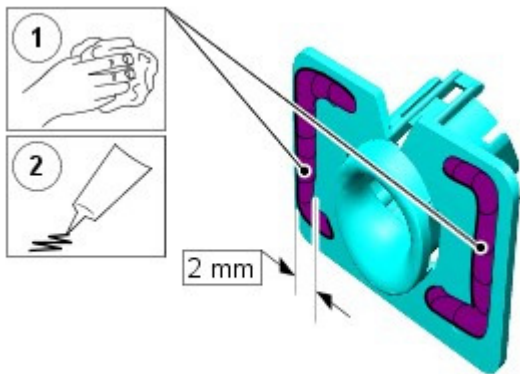


E86552


2.

3.  CAUTION: Align the special tool cutting edge with the contour of the bumper cover. Make sure it does not rotate while cutting the hole.

4.

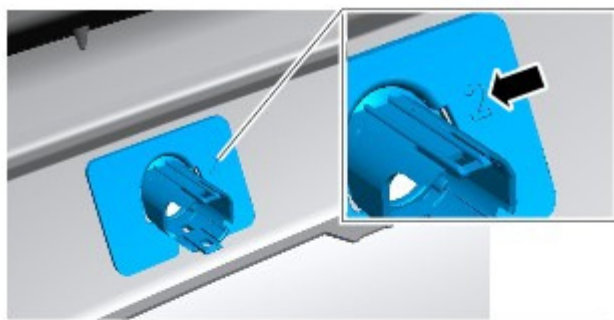


E86553

5.  **CAUTION:** To avoid excess adhesive being pushed through the cut bumper hole when fitting the trims, ensure the adhesive is applied as illustrated.

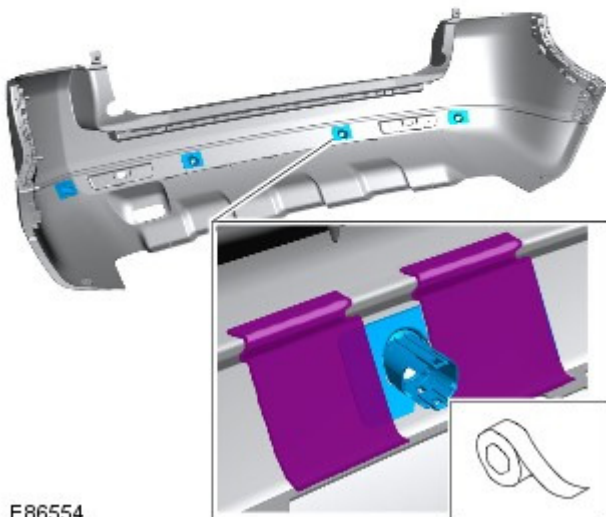
For adhesive information, refer to the specification section.

Refer to: [Specifications](#) (501-19 Bumpers, Specifications).



E86554

6.  **CAUTION:** Allow adhesive to cure for 2 hours before proceeding to fit bumper.



7. Install the reflectors.
8. Install the parking aid sensors.
9. Install the parking aid sensor wiring harness.
10. Install the rear bumper cover.
11. Secure the fender splash shield.
12. Install the bumper cover trim panel.
13. Install the rear lamp assemblies.

Refer to: [Rear Lamp Assembly](#) (417-01 Exterior Lighting, Removal and Installation).

14. Install the wheels and tires.

Refer to: [Wheel and Tire](#) (204-04 Wheels and Tires, Removal and Installation).