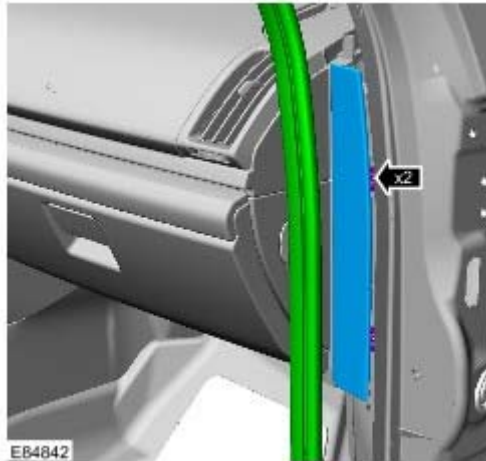


Instrument Panel Upper Section (76.46.04)

Removal

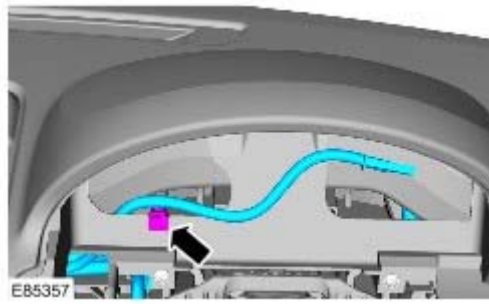
- 1 . Make the SRS system safe.
- 2 . Remove both A-pillar upper trim panels.
For additional information, refer to [A-Pillar Trim Panel \(76.13.26\)](#).
- 3 . Remove the A-pillar center trim panels.



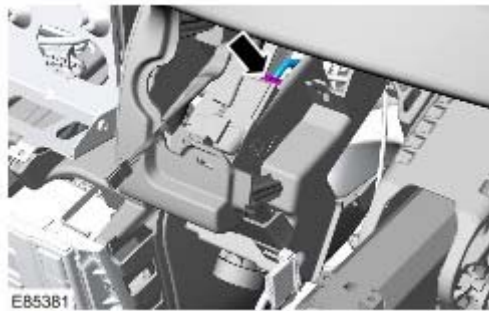
- 4 . Release the forward edge of both scuff plate trim panels.



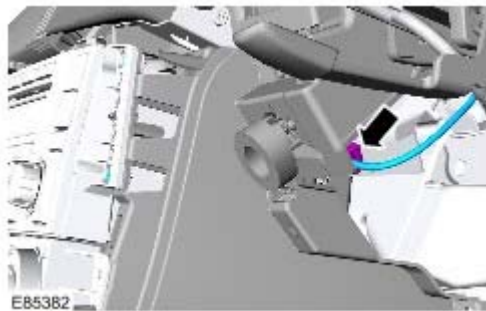
- 5 . Remove both cowl side trim panels.
For additional information, refer to [Cowl Side Trim Panel \(76.13.27\)](#).
- 6 . Remove the clockspring.
For additional information, refer to [Clockspring](#).
- 7 . Remove the instrument cluster.
For additional information, refer to [Instrument Cluster](#).
- 8 .



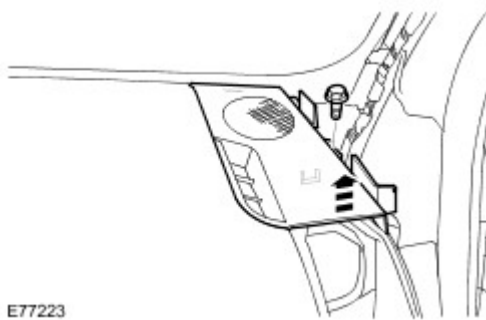
9 . Disconnect the keyless start module electrical connector.



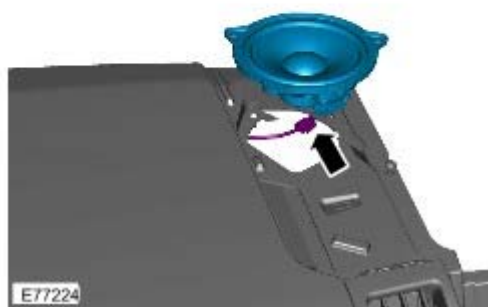
10 . Disconnect the in-vehicle temperature sensor.



11 . Remove both upper trim panels.



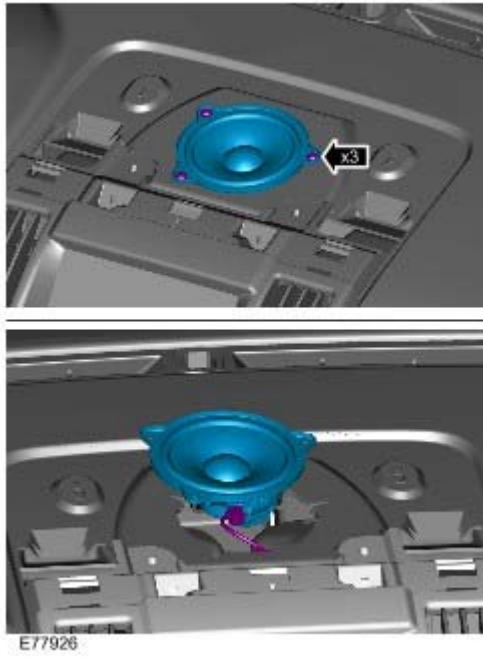
12 . Remove both instrument panel speakers.



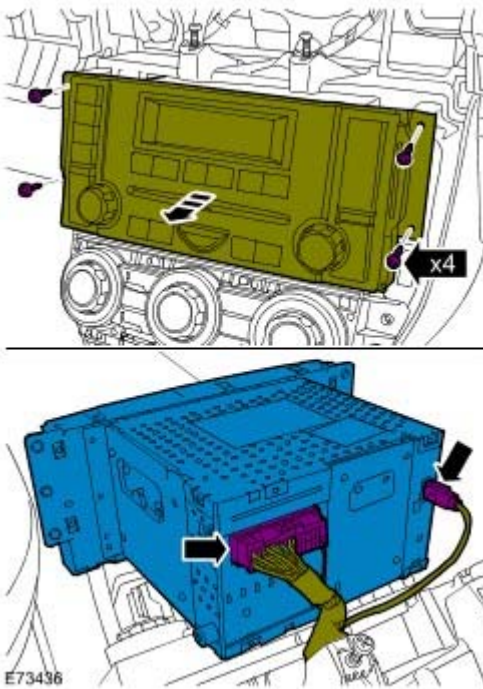
- 13 . Remove both floor console extensions.



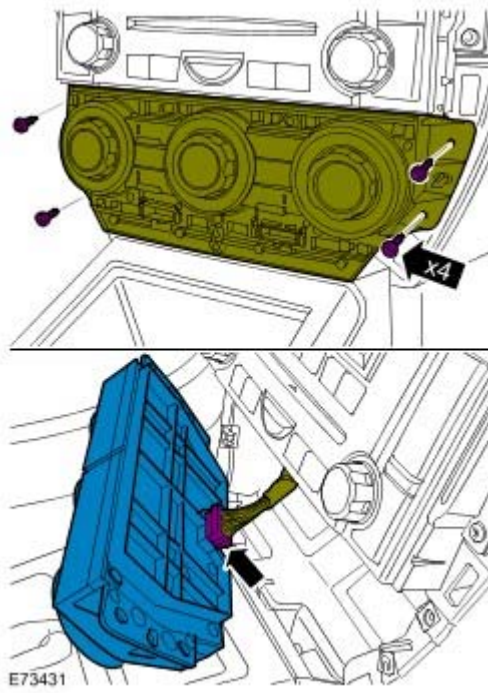
- 14 . Remove the floor console.
For additional information, refer to [Floor Console \(76.25.01\)](#).
- 15 . Remove the video display.
For additional information, refer to [Video Display](#).
- 16 . Remove the center speaker.



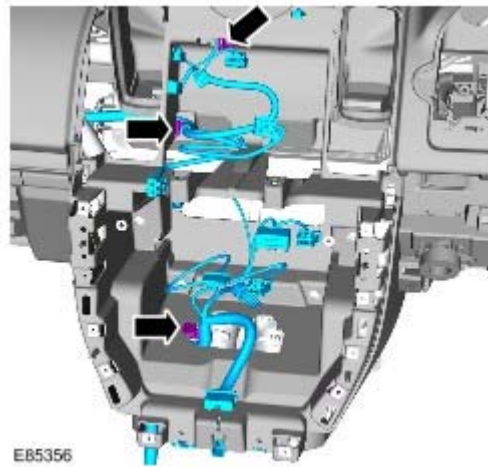
17 . Remove the audio unit.



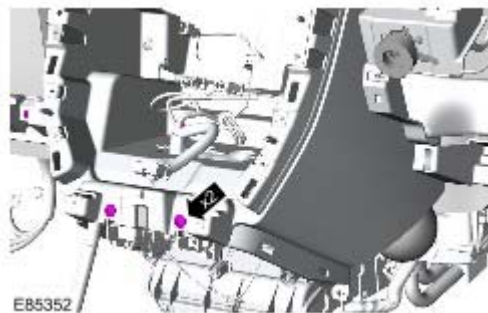
18 . Remove the climate control assembly.



19 .



20 .

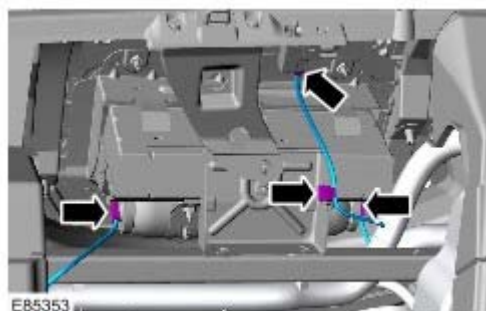


21 . Remove the passenger side instrument panel end trim panel.

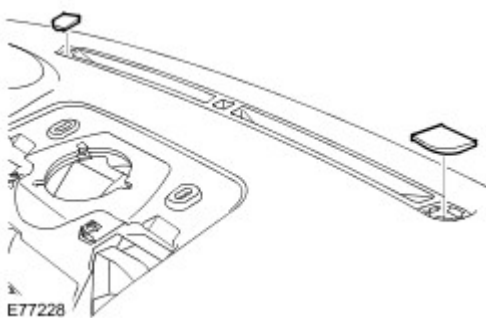


- 22 . Remove the glove compartment.
For additional information, refer to [Glove Compartment \(76.52.03\)](#).

23 .



- 24 . Remove the windshield defroster outer finishers.

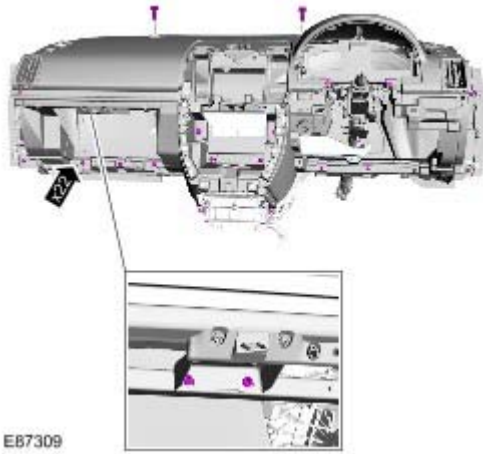


25 .

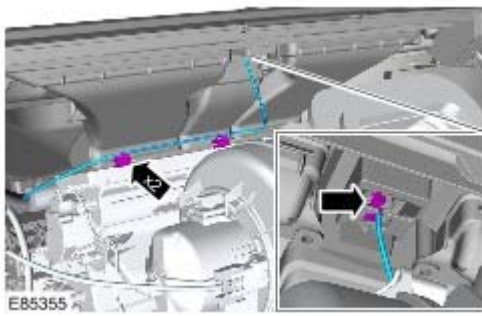


CAUTION: Protect the surrounding trim to avoid damage.

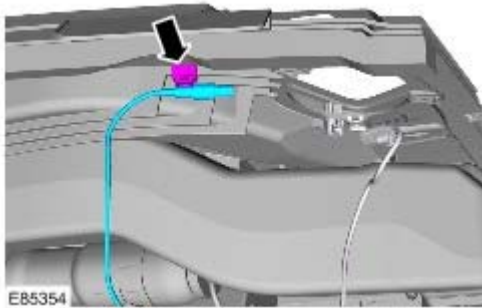
With assistance, carefully release the instrument panel upper section.



26 .



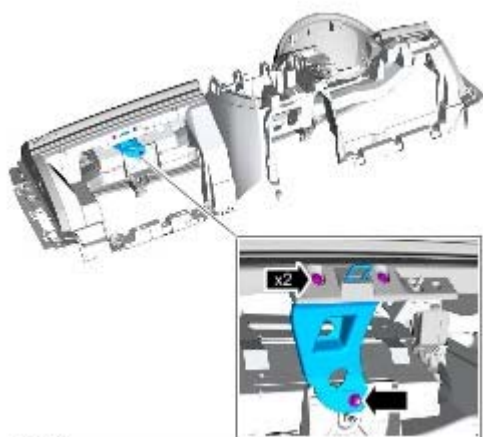
27 .



28 . With assistance, remove the instrument panel upper section.

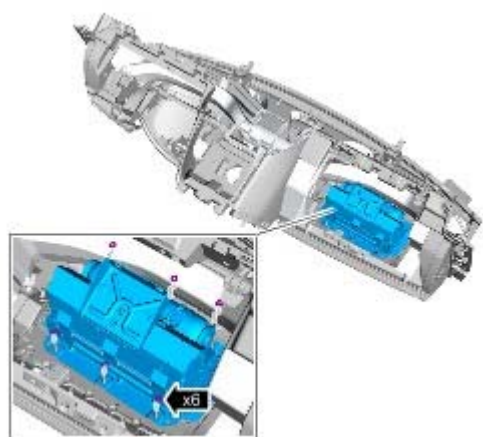
29 . **NOTE:**

Do not disassemble further if the component is removed for access only.



EB6735

30 .



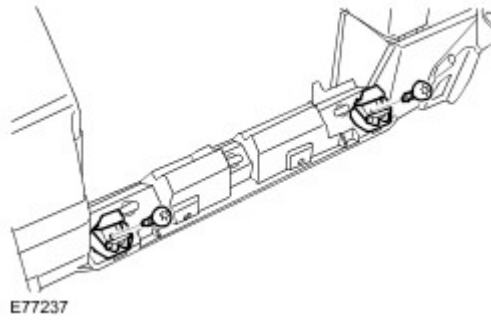
EB6736

31 .

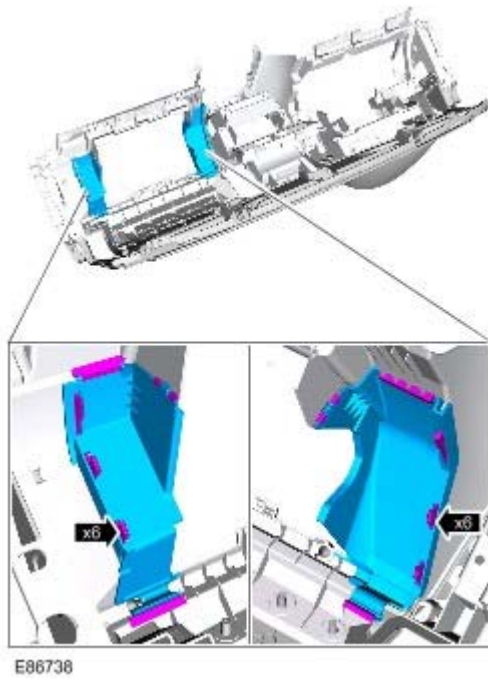


EB6737

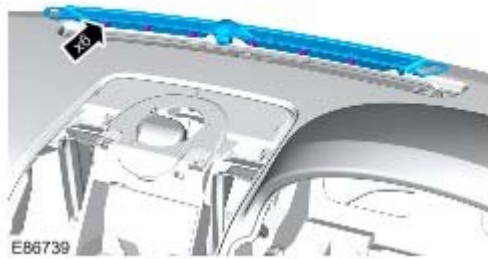
32 . Remove the glove compartment lid hinges.



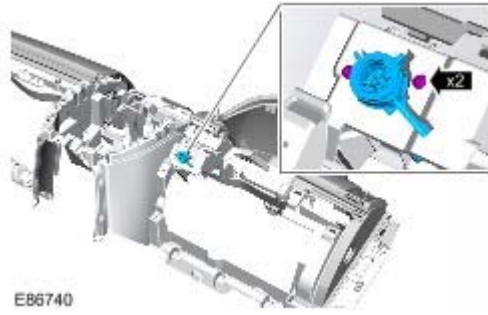
33 . Remove the glove compartment support panels.



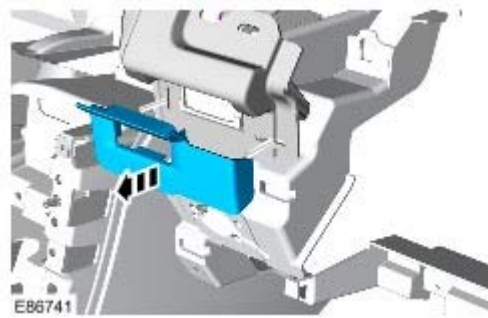
34 . Remove the windshield defroster trim panel.



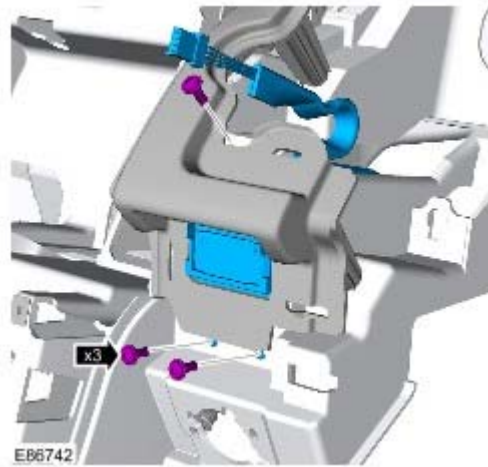
35 . Remove the in-vehicle temperature sensor.



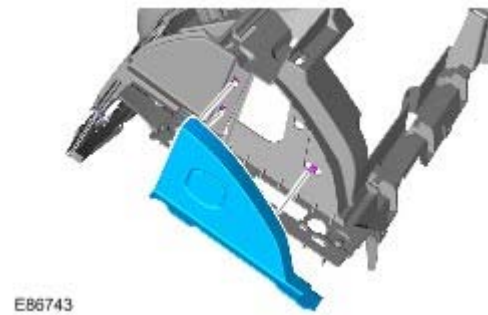
36 . Remove the keyless start control module trim cover.



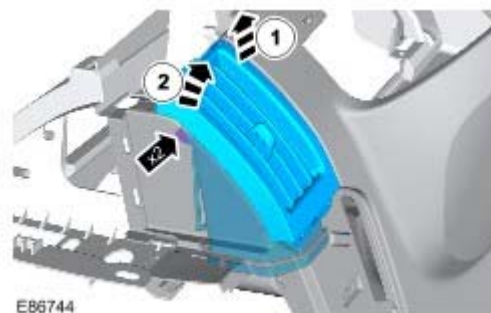
37 . Remove the keyless start control module.



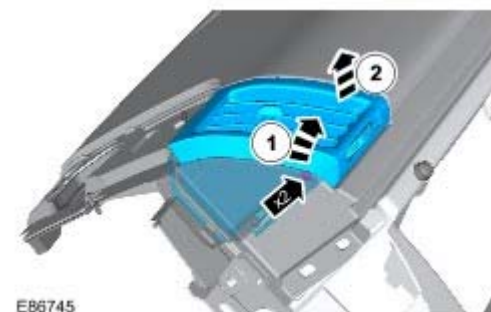
38 .



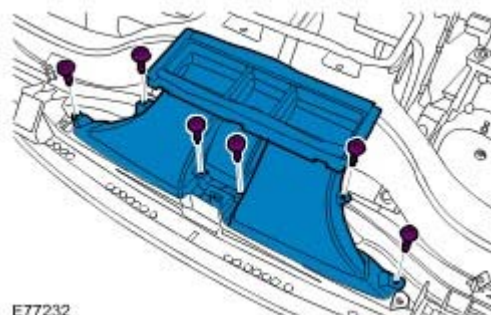
39 . Remove the driver side register.



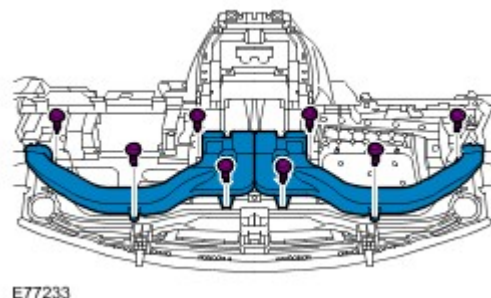
40 . Remove the passenger side register.



41 . Remove the windshield defroster duct.



42 . Remove the register ducting.



43 . Remove the remaining clips.

Installation

- 1 . Install the clips.
- 2 . Install the register ducting.

- 3 . Install the windshield defroster duct.
- 4 . Install the passenger side register.
- 5 . Install the driver side register.
- 6 . Install the driver side instrument panel end trim panel.
- 7 . Install the keyless start control module.
- 8 . Install the keyless start control module trim cover.
- 9 . Install the in-vehicle temperature sensor.
- 10 . Install the windshield defroster trim panel.
- 11 . Install the glove compartment support panels.
- 12 . Install the glove compartment lid hinges.
- 13 . Install the glove compartment lamp.
- 14 . Install the passenger air bag module.

Torque:
10 Nm
- 15 . Install the glove compartment striker reinforcement panel.
- 16 . With assistance, install the instrument panel upper section.
- 17 . Secure the wiring harness clip to the passenger side of the instrument panel upper section.
- 18 . Secure the 2 wiring harness clips to the windshield defroster duct and connect the sunload sensor.
- 19 . With assistance, secure the instrument panel upper section.
- 20 . Install the windshield defroster outer finishers.
- 21 . Connect the passenger air bag module electrical connectors.
- 22 . Connect the glove compartment lamp electrical connector.
- 23 . Secure the passenger air bag module and glove compartment lamp wiring harness.
- 24 . Install the glove compartment.
For additional information, refer to [Glove Compartment \(76.52.03\)](#)
- 25 . Install the passenger side instrument panel end trim panel.
- 26 . Secure the wiring harness support bracket.
- 27 . Secure the wiring harness to the center of the instrument panel upper section.
- 28 . Install the climate control assembly.
- 29 . Install the audio unit.
- 30 . Install the center speaker.

- 31 . Install the video display.
For additional information, refer to [Video Display](#).
- 32 . Install the floor console.
For additional information, refer to [Floor Console \(76.25.01\)](#).
- 33 . Install the floor console extensions.
- 34 . Install both instrument panel speakers.
- 35 . Install both upper trim panels.
- 36 . Connect the in-vehicle temperature sensor electrical connector.
- 37 . Connect the keyless start module electrical connector.
- 38 . Secure the instrument cluster wiring harness clip.
- 39 . Install the instrument cluster.
For additional information, refer to [Instrument Cluster](#).
- 40 . Install the clockspring.
For additional information, refer to [Clockspring](#).
- 41 . Install both cowl side trim panels.
For additional information, refer to [Cowl Side Trim Panel \(76.13.27\)](#).
- 42 . Secure both scuff plate trim panels.
- 43 . Install the A-pillar center trim panels.
- 44 . Install both A-pillar upper trim panels.
For additional information, refer to [A-Pillar Trim Panel \(76.13.26\)](#).
- 45 . Connect the battery ground cable.
For additional information, refer to [Specifications](#).
- 46 . Return the steering column to its original position.