

## Front Bumper Cover

### Removal

1.



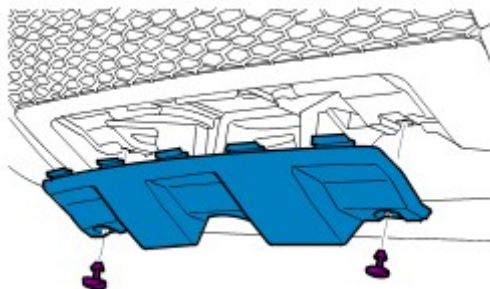
**WARNING:** Do not work on or under a vehicle supported only by a jack. Always support the vehicle on safety stands.

Raise and support the vehicle.

2. Remove the front wheels and tires.

For additional information, refer to [Wheel and Tire](#).

3. Remove the towing eye cover.



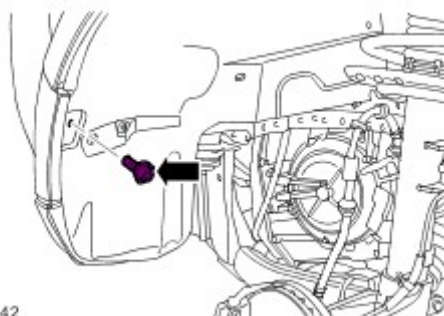
E73341

4. Remove the front RH and LH splash shields.



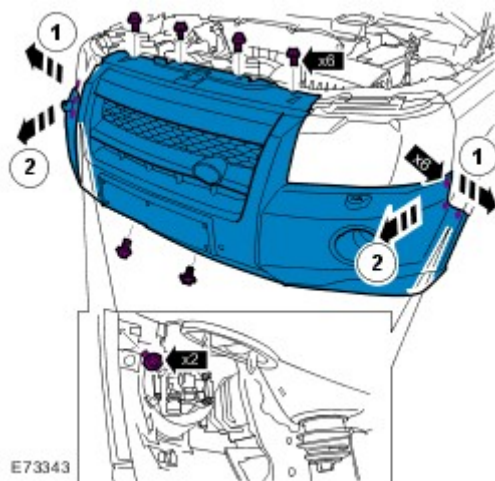
E73100

5. Release the front bumper cover from the RH and LH fender splash shields.



E73342

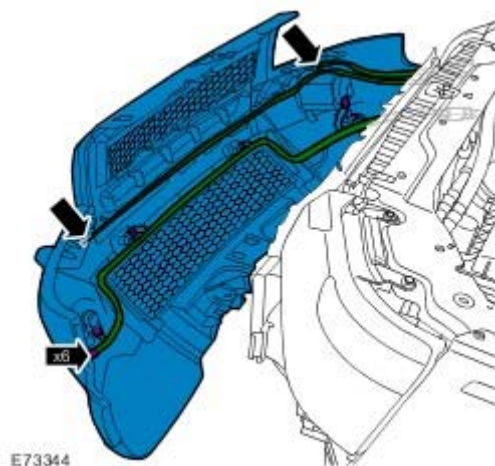
6. With assistance, release the front bumper cover.



**7 . NOTE:**

Some fluid spillage is inevitable during this operation.

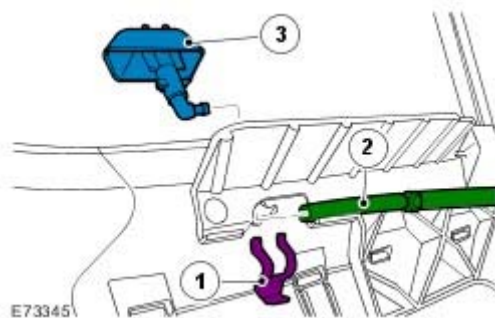
With assistance, remove the front bumper cover.



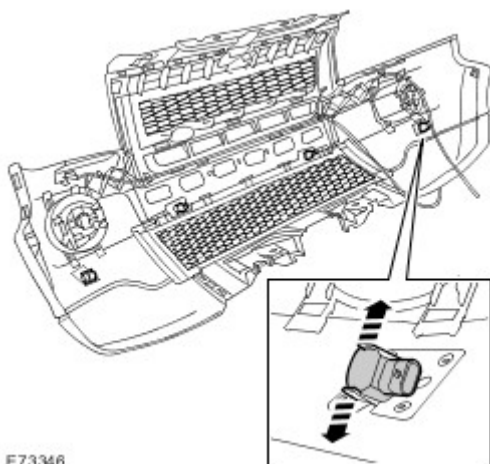
**8 . NOTE:**

Do not disassemble further if the component is removed for access only.

Remove the 2 washer jets.

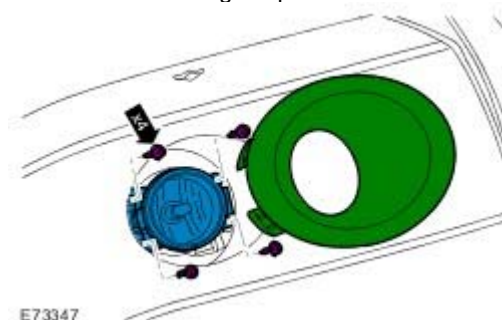


9 . Remove the 4 parking aid sensors.



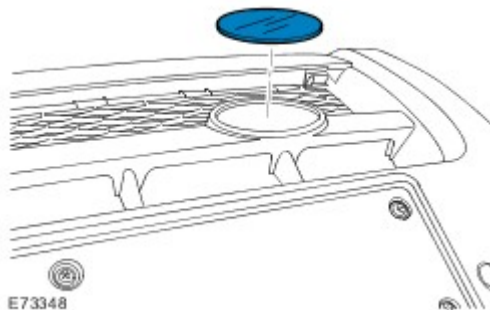
E73346

10 . Remove the front fog lamps.



E73347

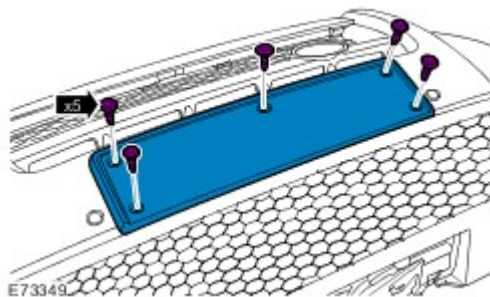
11 . Carefully remove the decal.



E73348

12 . If installed: Remove the license plate.

13 . If installed: Remove the license plate panel.



E73349

**Installation**

- 1 . If installed, install the license plate panel.
- 2 . If installed, install the license plate.
- 3 . Install the decal.
- 4 . Install the front fog lamps.
- 5 . Install the parking aid sensors.
- 6 . Install the washer jets.
- 7 . With assistance, install the front bumper cover and tighten the fixings to 10 Nm (7 lb.ft).
- 8 . Install the splash shields.
- 9 . Install the towing eye cover.