

Transmission Draining and Filling



WARNING: Observe due care when draining, as the fluid can be very hot.

1.



WARNING: Do not work on or under a vehicle supported only by a jack. Always support the vehicle on safety stands.

NOTE:

Make sure that the vehicle is standing on a level surface.

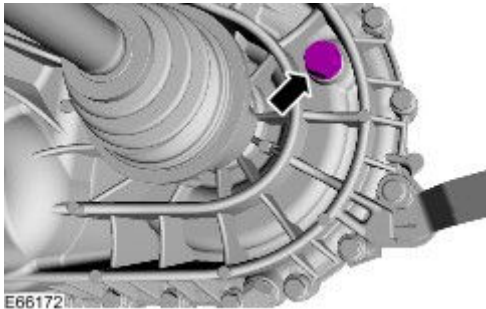
Raise and support the vehicle.

2. Remove the front undershield.

[Engine Undershield \(76.10.50\)](#)

3. Clean the area around the transmission fluid level/filler plug.

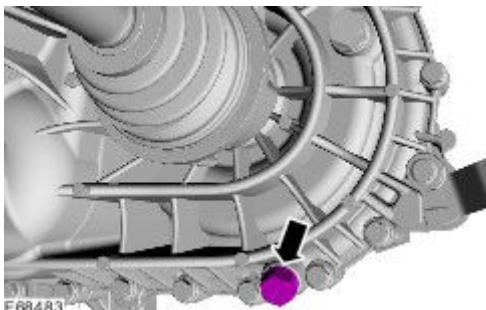
4. Remove the transmission fluid filler/level plug.



5. Clean the area around the transmission fluid drain plug.

6. Place a container under the transmission.

7. Remove the transmission fluid drain plug.



8.



CAUTION: Replace the washer.

Install the transmission fluid drain plug.

Torque:

30 Nm

9. Fill the transmission with the correct fluid until it runs from the level/filler plug.

10.



CAUTION: Replace the washer.

Install the transmission fluid filler/level plug.

Torque:
35 Nm

11. Install the front undershield.

[Engine Undershield \(76.10.50\)](#)