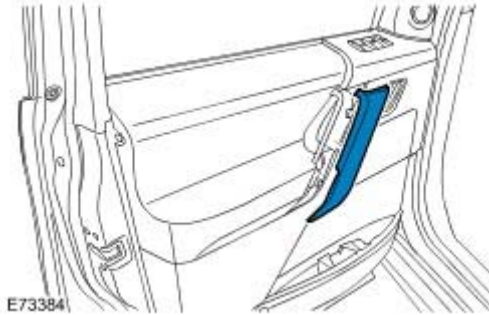


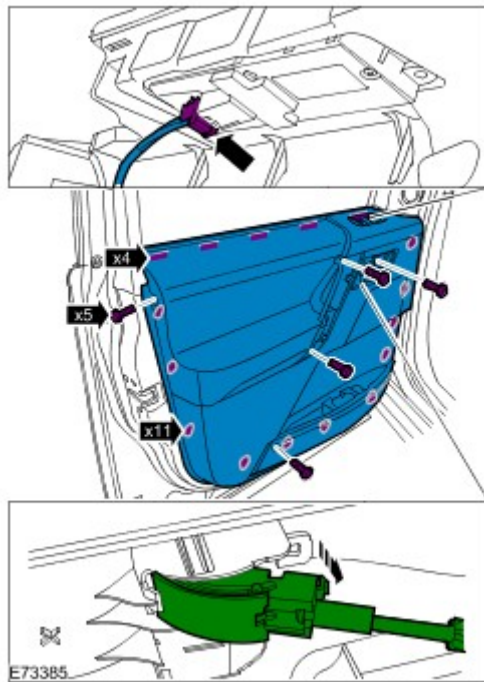
Front Door Trim Panel (76.34.01)

Removal

- 1 . Remove the grab handle cover.



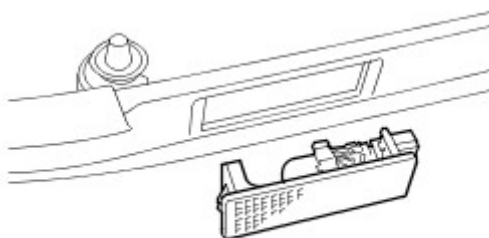
- 2 . Remove the front door trim panel.



- 3 . **NOTE:**

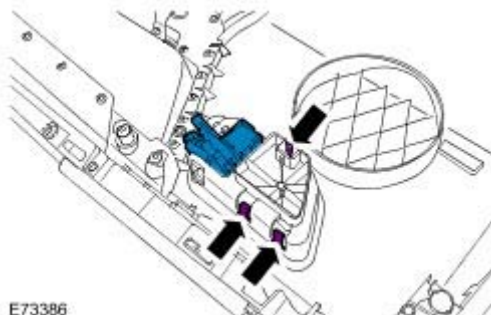
Do not disassemble further if the component is removed for access only.

Remove the puddle lamp.

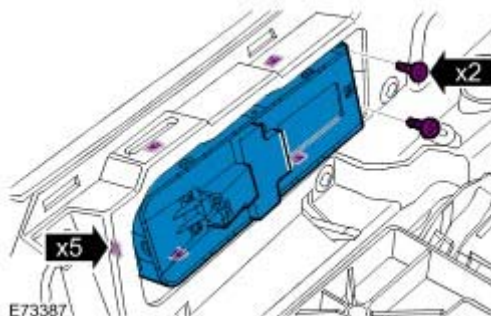


E43315

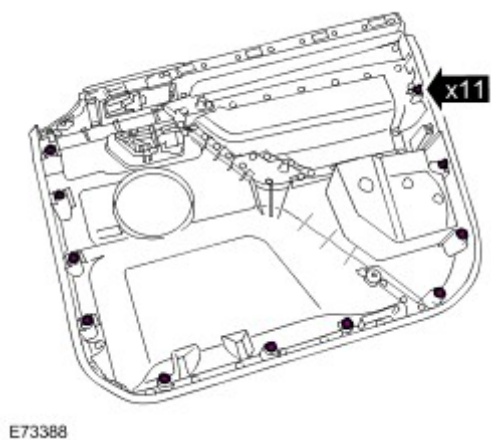
- 4 . Remove the front door latch remote control handle.



- 5 . Remove the window control switch.



- 6 . Remove the 11 clips.



Installation

- 1 . Install the window control switch.
- 2 . Install the front door latch remote control handle.
- 3 . Install the puddle lamp.
- 4 . Install the clips.
- 5 . Install the front door trim panel.
- 6 . Install the grab handle cover.