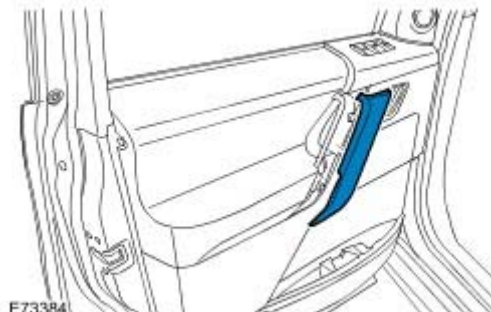


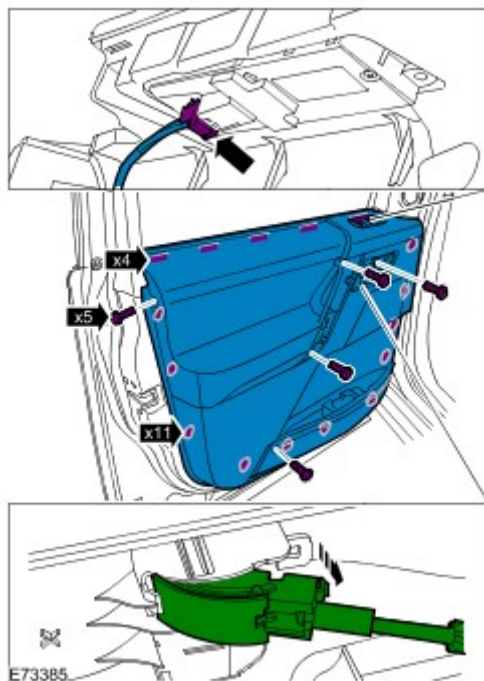
Front Door Trim Panel (76.34.01)

Removal

1. Remove the grab handle cover.



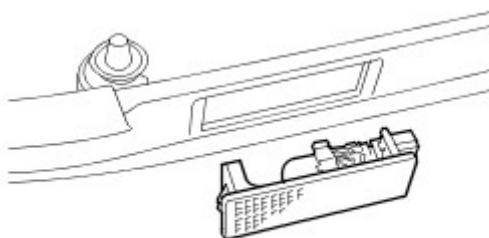
2. Remove the front door trim panel.



3. **NOTE:**

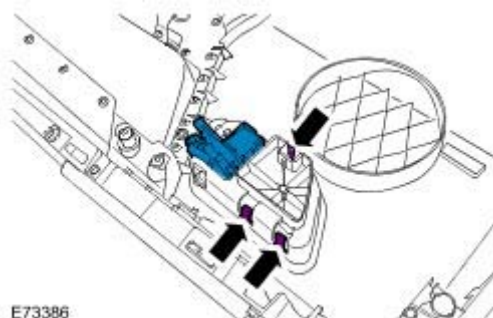
Do not disassemble further if the component is removed for access only.

Remove the puddle lamp.

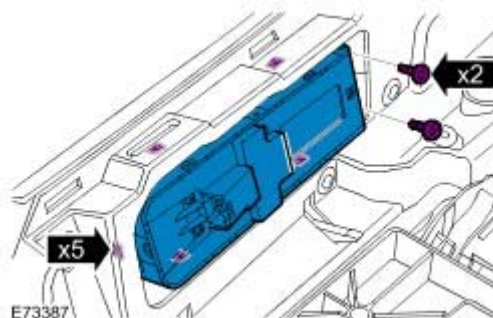


E43315

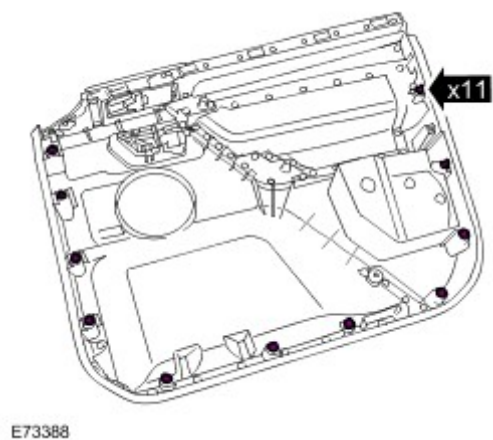
- 4 . Remove the front door latch remote control handle.



- 5 . Remove the window control switch.



- 6 . Remove the 11 clips.



Installation

- 1 . Install the window control switch.
- 2 . Install the front door latch remote control handle.
- 3 . Install the puddle lamp.
- 4 . Install the clips.
- 5 . Install the front door trim panel.
- 6 . Install the grab handle cover.

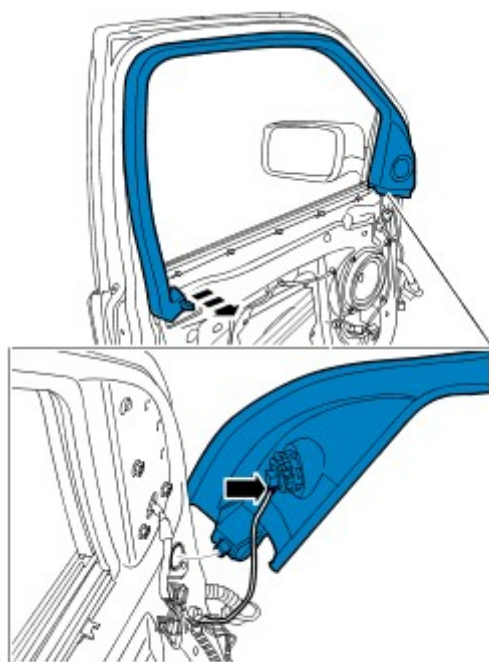
Exterior Mirror (76.11.10)

Removal

NOTE:

Removal steps in this procedure may contain installation details.

- 1 . Lower the window glass.
- 2 . Disconnect the battery ground cable.
For additional information, refer to [Specifications](#)
- 3 . Remove the front door trim panel.
For additional information, refer to [Front Door Trim Panel \(76.34.01\)](#)
- 4 . Remove the front door frame trim.



E76892

- 5 . **Torque:**
10 Nm



E76993

Installation

- 1 . To install, reverse the removal procedure.